



Innovative Cleaning Systems
www.tornadovac.com

K S M 7 5 0 S W E E P E R S



KSM 750 BAT

KSM 750 B

K S M 7 5 0 S W E E P E R S

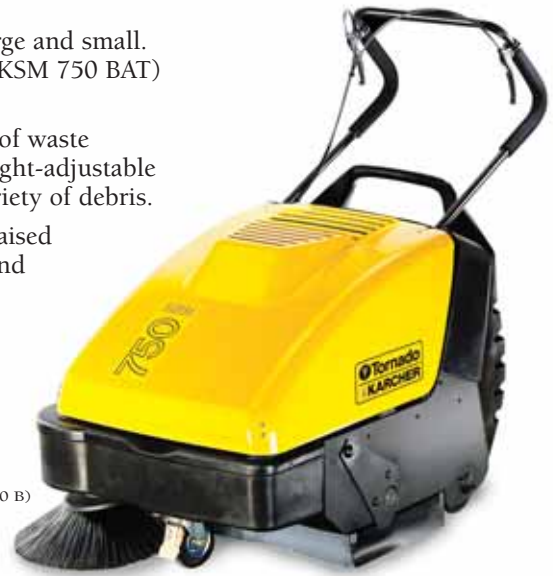
Compact and powerful, durably constructed, dust-free sweeping technology

The KSM 750 Series of walk-behind sweepers are ideal for areas large and small. The sweepers are available as an indoor/outdoor battery machine (KSM 750 BAT) or an outdoor gasoline-powered unit (KSM 750 B).

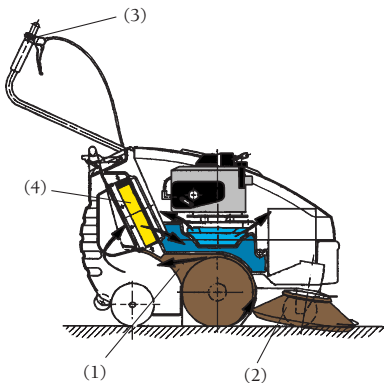
Overthrow sweeping principle (1) guarantees optimum utilization of waste container capacity. The main broom has chevron bristles and is height-adjustable for professional sweeping results on all kinds of surfaces with a variety of debris.

The side-mounted brush (2) is protected by a bump guard and is raised and lowered by the hand controls (3). A high-efficiency filter (4) and dust control system provides dust-free operation during sweeping.

Self-propelled, the KSM 700 has infinitely variable drive speed, allowing excellent maneuverability. The unit is equally at home on commercial carpet for debris recovery.



KSM 750 BAT
(Also available gas-powered, KSM 750 B)



Versatile
Sweep indoors or outside, from sidewalks to factory floors.



Filter and intake system
Patented filter and filter shaker system provides dust-free (greater than 99% dust retention rate) sweeping for extended periods of uninterrupted operation.



Waste container
Rugged, corrosion-proof 10-gal/38 l debris bin has handle and wheels for easy transport and dumping.

PRODUCT SPECIFICATIONS

MODEL	CATALOG NUMBER	COVERAGE PER HOUR	WORKING WIDTH	WASTE CONTAINER	MOTOR	WORKING SPEED	OPERATING WEIGHT	DIMENSIONS (L x W x H)
KSM 750 BAT	96200	30,000 ft ²	28"	10gal/38l	2.1HP	2.5mph	200lbs	50" x 28" x 46"
KSM 750 B	96201	30,000 ft ²	28"	10gal/38l	5.0 HP Honda	2.5mph	165lbs	50" x 28" x 46"

STANDARD ACCESSORIES

(Included with unit)

MODEL	12V-145AH BATTERY (1 REQUIRED)	12V-15 AMP CHARGER	MAIN BROOM	SIDE BRUSH	WASHABLE DUST-CONTROL FILTER
KSM 750 BAT	98799	99560	K6905587	K5777023	K5731586
KSM 750 B	N/A	N/A	K6905587	K5777023	K5731585

OPTIONAL ACCESSORIES

MODEL	SOFT SIDE BRUSH	HARD SIDE BRUSH	SOFT MAIN BROOM	HARD MAIN BROOM	ANTI-STATIC CARPET BROOM	LINT SCREEN FOR CARPET SWEEPING
KSM 750 BAT	K6905498	K6951164	K6905870	K6905868	K6906026	K2638851
KSM 750 B	K6905498	K6951164	K6905870	K6905868	K6906026	K2638851



Tornado Industries • 7401 W. Lawrence Ave., Chicago, IL 60706 • 1-800-VACUUMS or (708) 867-5100 Fax: (708) 867-6968
Visit our web site at: www.tornadovac.com