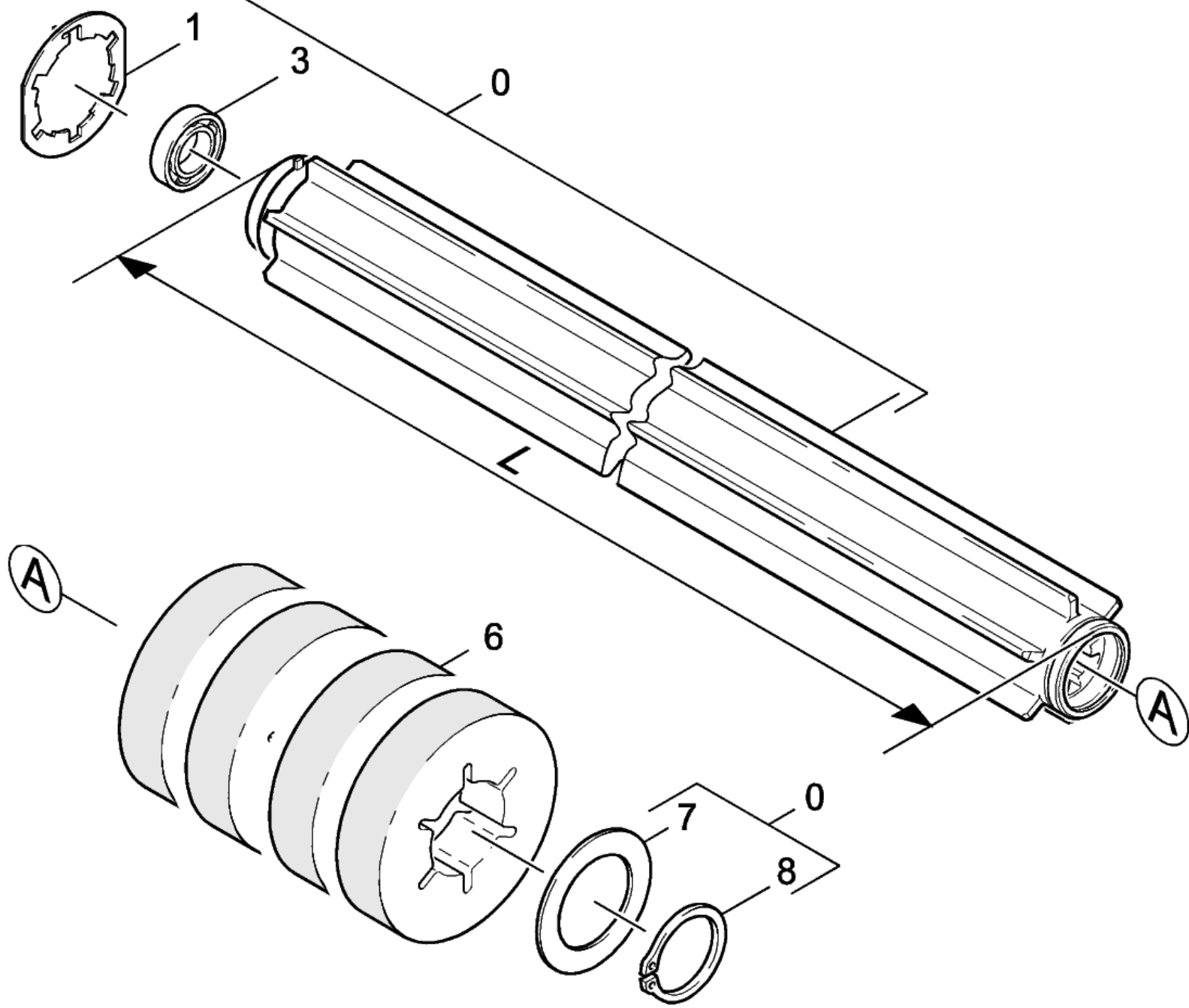


Accessories

Model :99405 16" BR 400 Cylindrical Brush Automatic

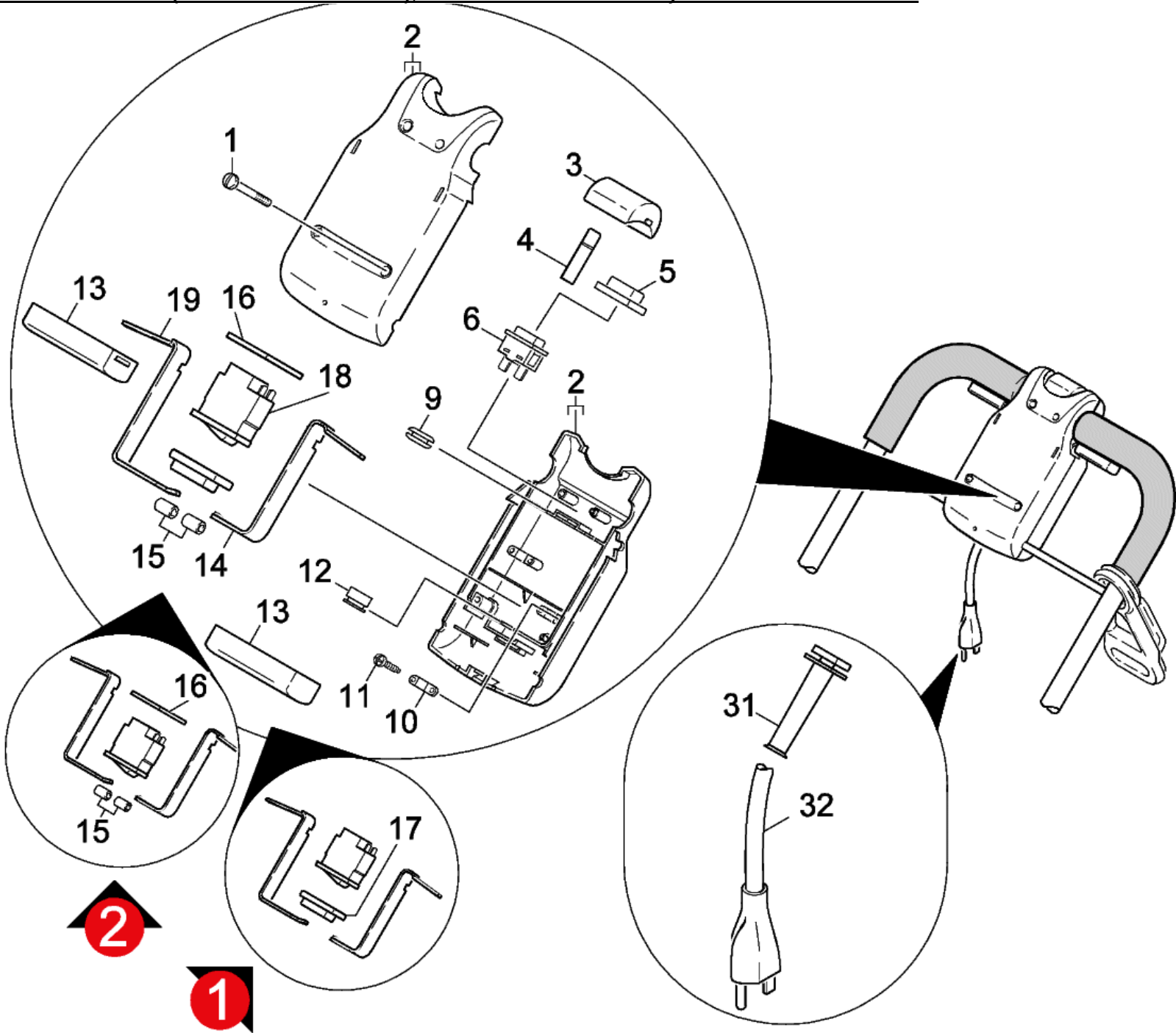
	Number	Description	Qty Req.
0	K47621830	ROLLER PAD HOLDER	1
1	K51157270	USE #K41150030	1
3	K74011690	BALL BEARING 6201-2RS	1
6	K63693880	PAD-WHITE-96-20CT	2
	K63694510	PAD-YELLOW-96-20CT	2
	K63694520	PAD-GREEN-96-20CT	2
	K63694530	PAD-RED-96-20CT	2
7	K50052660	WASHER	1
8	K73430300	SPRING CLIP	1



Handle Switch Box (Serial No. 16790 onward)

Model :99405 16" BR 400 Cylindrical Brush Automatic

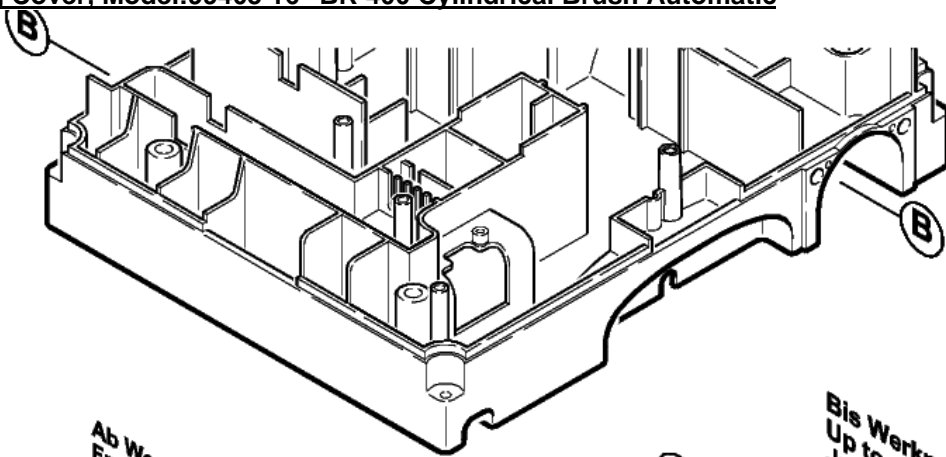
	Number	Description	Qty Req.
1	K73063370	OVAL HEAD SCREW	4
	K73063420	OVAL HEAD SCREW	4
2	K50605140	(MS) HOUSINGREFER TO SCREEN 13.20	2
3	K53240320	CALIPERS	1
4	K73145170	GROOVED PIN	1
5	K66316180	CAP	1
6	K66317480	TASTER	1
9	K66473560	RUBBER BUSHING	2
10	K63733190	CABLE CLAMP	2
11	K73031020	SCREW 3 5X12	4
12	K66473650	CABLE GLAND	2
13	K53214570	HANDLE	2
14	K50465190	PLATE	1
15	K63893620	HOSE	2
16	K50500830	FRAME (SEND 2 PCS.)	1
17	K66317600	(MS) SWITCH COVER	1
18	K66317460	ROCKER SWITCH	1
19	K50465200	PLATE	1
20	K53941380	PROTECTION PART	1
21	K66475120	CABLE	1



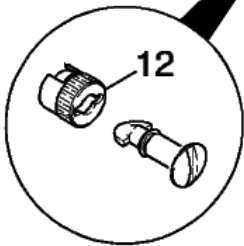
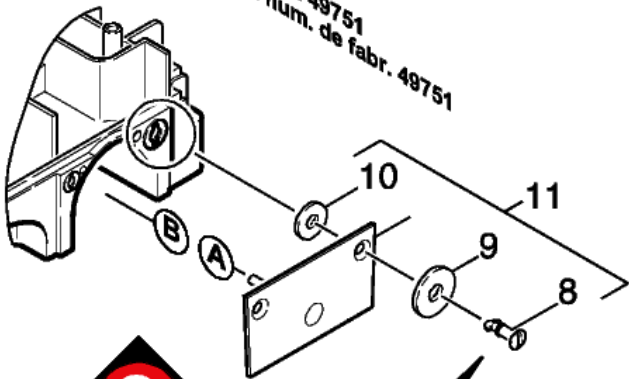
Locking Cover

Model :99405 16" BR 400 Cylindrical Brush Automatic

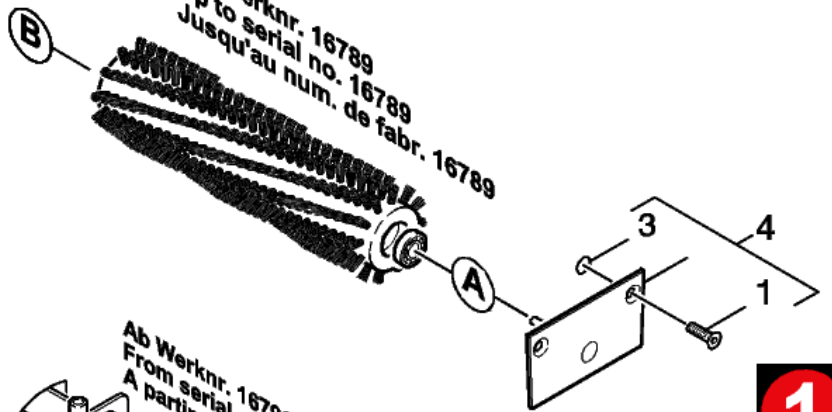
	Number	Description	Qty Req.
1	K73056370	FLAT HEADED SCREW M 8 X 16	4
3	K63624870	GASKET	4
4	K40632130	COVER	2
5	K63752150	USE #K26399200SPIGOT PLUG - 5 PC.	4
7	K40632410	COVER-RPLCD BY K00824810+K40636880+(2)K63752850	2
8	K63752840	SPIGOT PLUG	4
9	K73122920	WASHER	4
10	K51156780	TEFLON PLASTIC WASHER	4
11	K40636880	COVER	2
12	K63752850	MOLDED PART	4



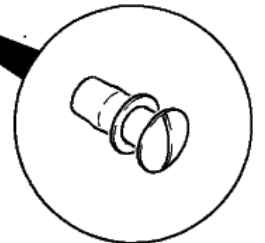
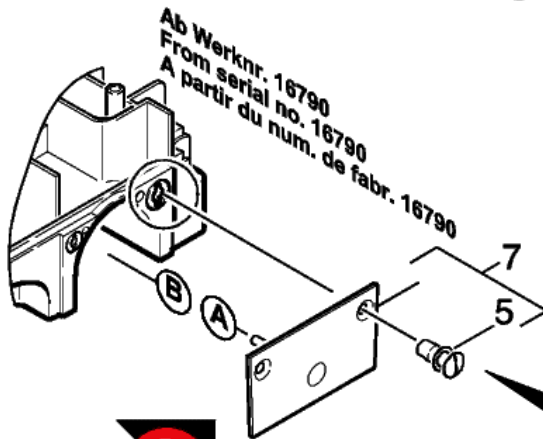
Ab Werknr. 49751
From serial no. 49751
A partir du num. de fabr. 49751



Bis Werknr. 16789
Up to serial no. 16789
Jusqu'au num. de fabr. 16789



Ab Werknr. 16790
From serial no. 16790
A partir du num. de fabr. 16790

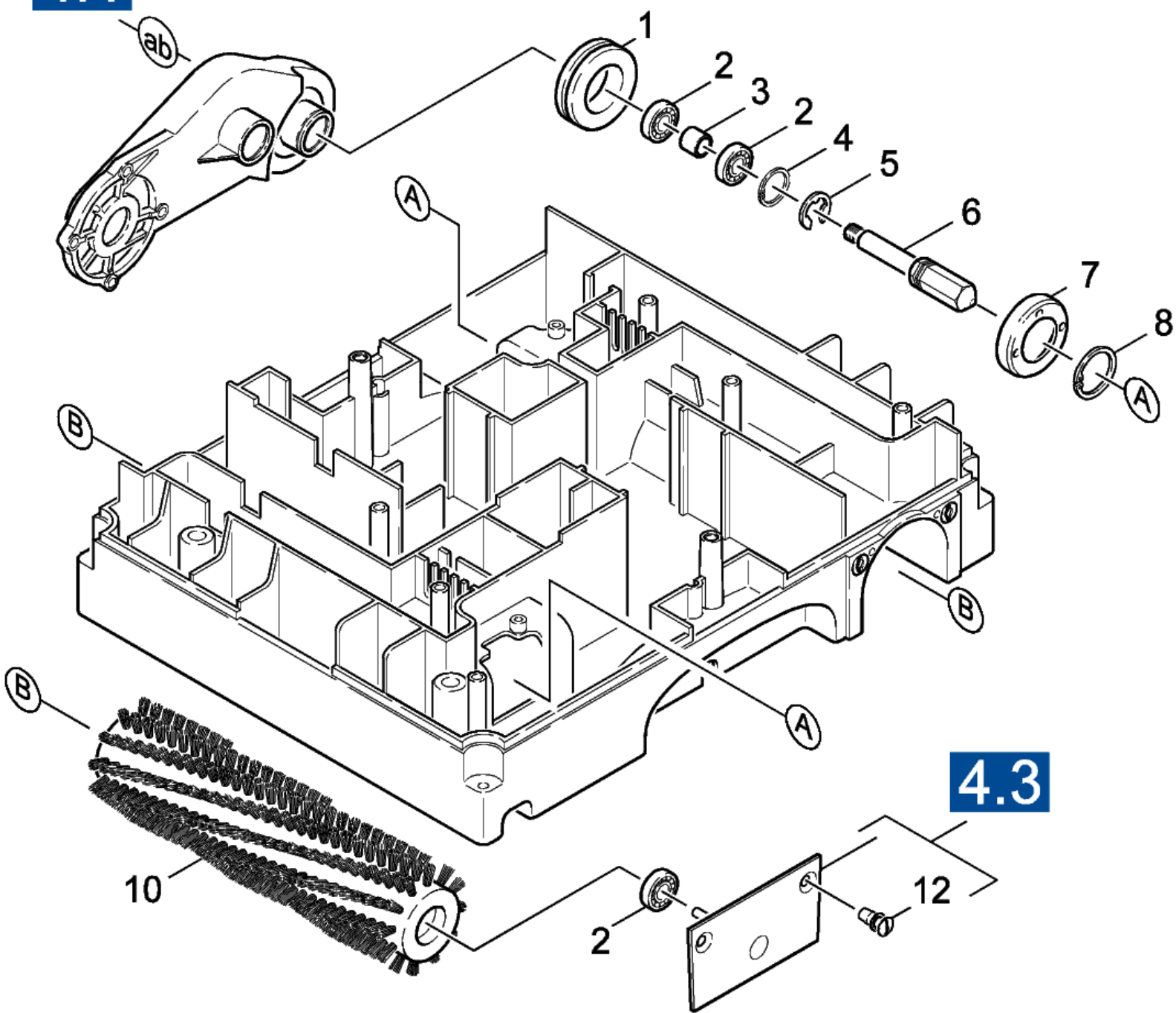


Roller Brush

Model :99405 16" BR 400 Cylindrical Brush Automatic

	Number	Description	Qty Req.
1	K66473660	BUSH	2
2	K64013630	BALL BEARING	8
3	K51105280	SLEEVE	2
4	K73431510	SAFETY RING	2
5	K73432060	LOCK WASHER	2
6	K51001450	SHAFT	2
7	K50632960	COVER	2
8	K73430390	SPRING	2
10	K57621120	ROLLER BRUSH (MEDIUM STD)- 320 MM	2
	K57621250	ROLLER BRUSH (HIGH/LOW) - 320 MM	2
	K57621260	ROLLER BRUSH (HARD GRIT) - 320 MM	2
	K57621270	ROLLER BRUSH (SOFT)- 320 MM	2
	K57622650	ROLLER BRUSH (VERY HARD GRIT)- 320 MM	2

4.1

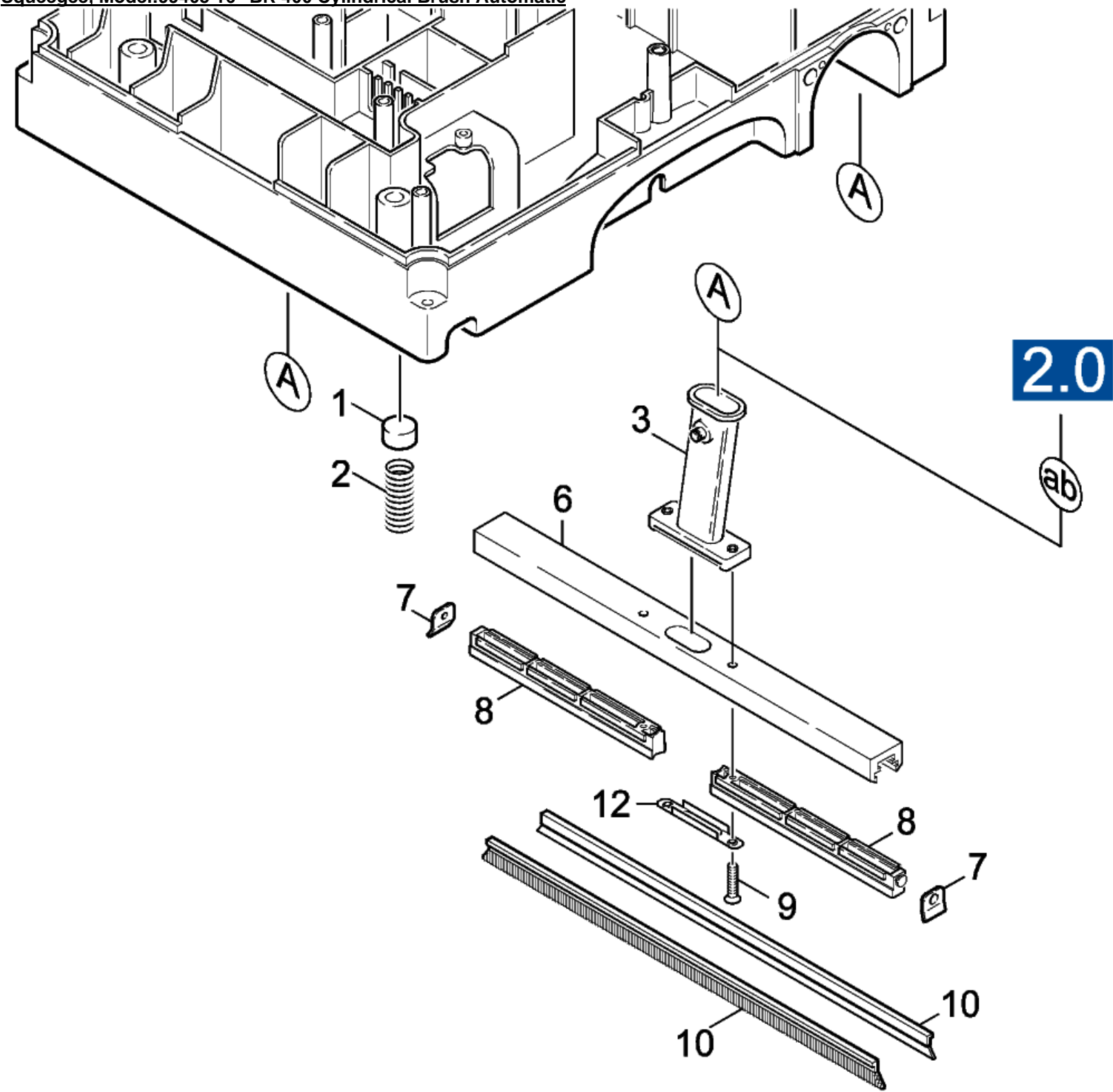


4.3

Squeegee

Model :99405 16" BR 400 Cylindrical Brush Automatic

	Number	Description	Qty Req.
1	K51155880	WASHER	4
2	K53322160	HELICAL SPRING	4
3	K50130720	FUNNEL	2
6	K50308620	PROFILE	2
7	K50030290	PLATE	4
8	K50310720	MOLDED PART	4
9	K73050370	SCREW	4
	K73063470	OVAL HEAD SCREW	4
10	K51810400	SQUEEGEE SET - REFILLS	2
	K51810410	SQUEEGEE SET (OIL RES)	2
12	K50428880	BRACKET	1

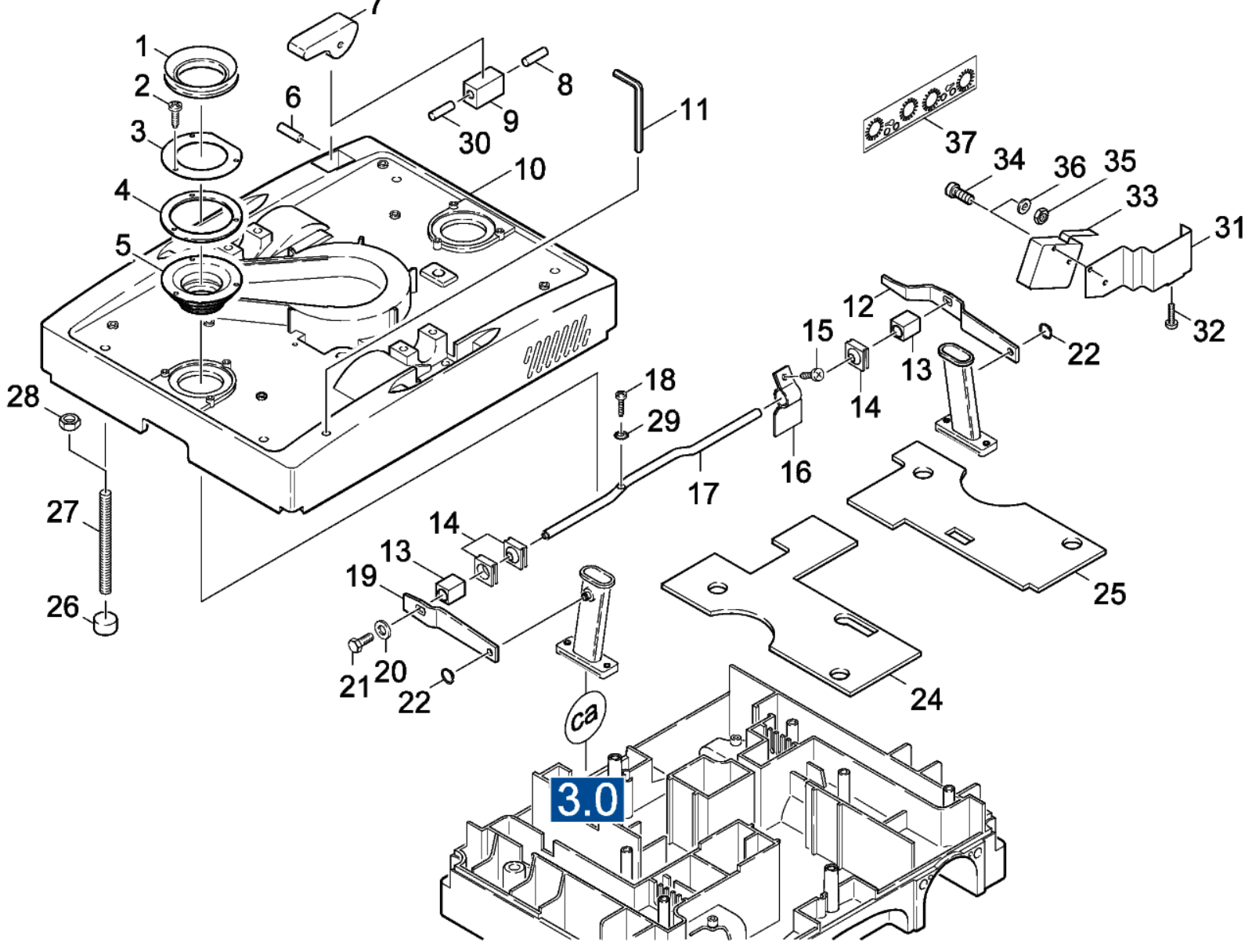


Top Unit - Piece Parts-1

Model :99405 16" BR 400 Cylindrical Brush Automatic

	Number	Description	Qty Req.
1	K53633280	JOINT RING	2
2	K73031020	SCREW 3 5X12	6
3	K51155850	WASHER	2
4	K53633270	JOINT RING	2
5	K63660380	BELLOWS	2
6	K73141500	STRAIGHT PIN	1
7	K51250350	ECCENTRIC	1
8	K73141380	STRAIGHT PIN	1
9	K53240240	CALIPERS	1
10	K50636250	COVER	1
11	K78151310	SCREW DRIVER	1
12	K54811380	LEVER	1
13	K52510190	BEARING BLOCK	2
14	K53651690	SEAL	3
15	K73033610	SHEET METAL SCREW	1
16	K50410900	CLAMP	1
17	K51001200	SHAFT	1
18	K73030300	SCREW	1
19	K54811260	LEVER	1
20	K73122920	WASHER	2
21	K73061910	SCREW M6X10	2
22	K73433000	LOCK WASHER	2
24	K50030300	PLATE (FOAM GASKET)	1
25	K50030310	PLATE (FOAM GASKET)	1
26	K51155880	WASHER	4
27	K73074210	THREADED PIN	4
28	K73110670	HEX NUT M6	4
29	K73122300	SERRATED LOCK WASHER	1
30	K73146590	GROOVED PIN	1
31	K50429320	BRACKET	1
32	K63031390	SCREW	1
33	K66319700	MICRO SWITCH	1
34	K73060540	USE #K73064060SCREW M 3 X 16	2
35	K73114330	HEX NUT	2
36	K73122940	WASHER	2
37	K53901590	DECAL	1

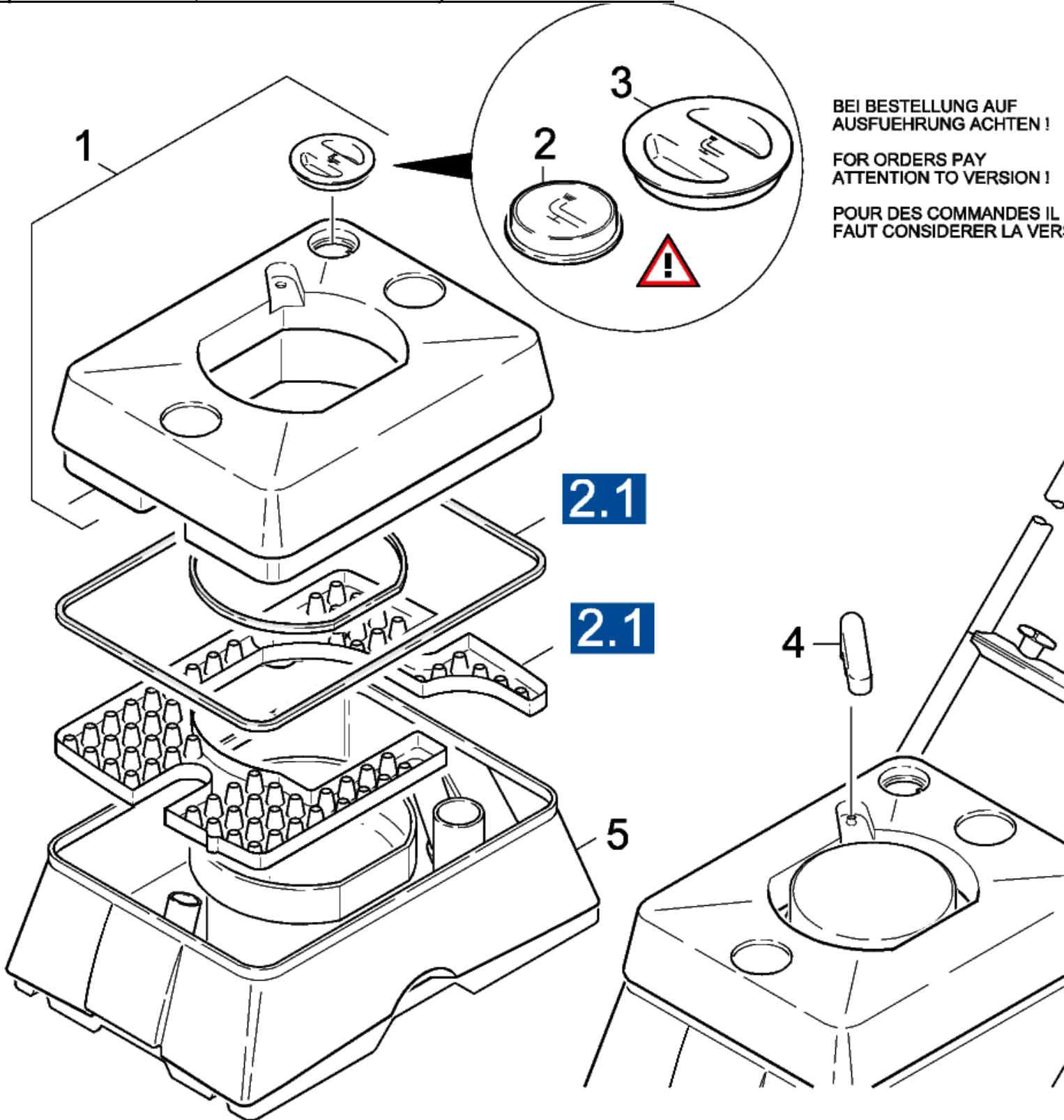
Top Unit - Piece Parts-1, Model:99405 16" BR 400 Cylindrical Brush Automatic



Top Unit - Piece Parts-2

Model :99405 16" BR 400 Cylindrical Brush Automatic

	Number	Description	Qty Req.
1	K40662040	COVER	1
	K40662380	COVER	1
2	K63682040	DRAIN PLUG	1
3	K50636500	COVER	1
4	K50314070	ANGLE-RUBBER	1
5	K40703470	TANK	1
	K50701480	USE #K40703470TANK	1
	K50705590	TANK	1



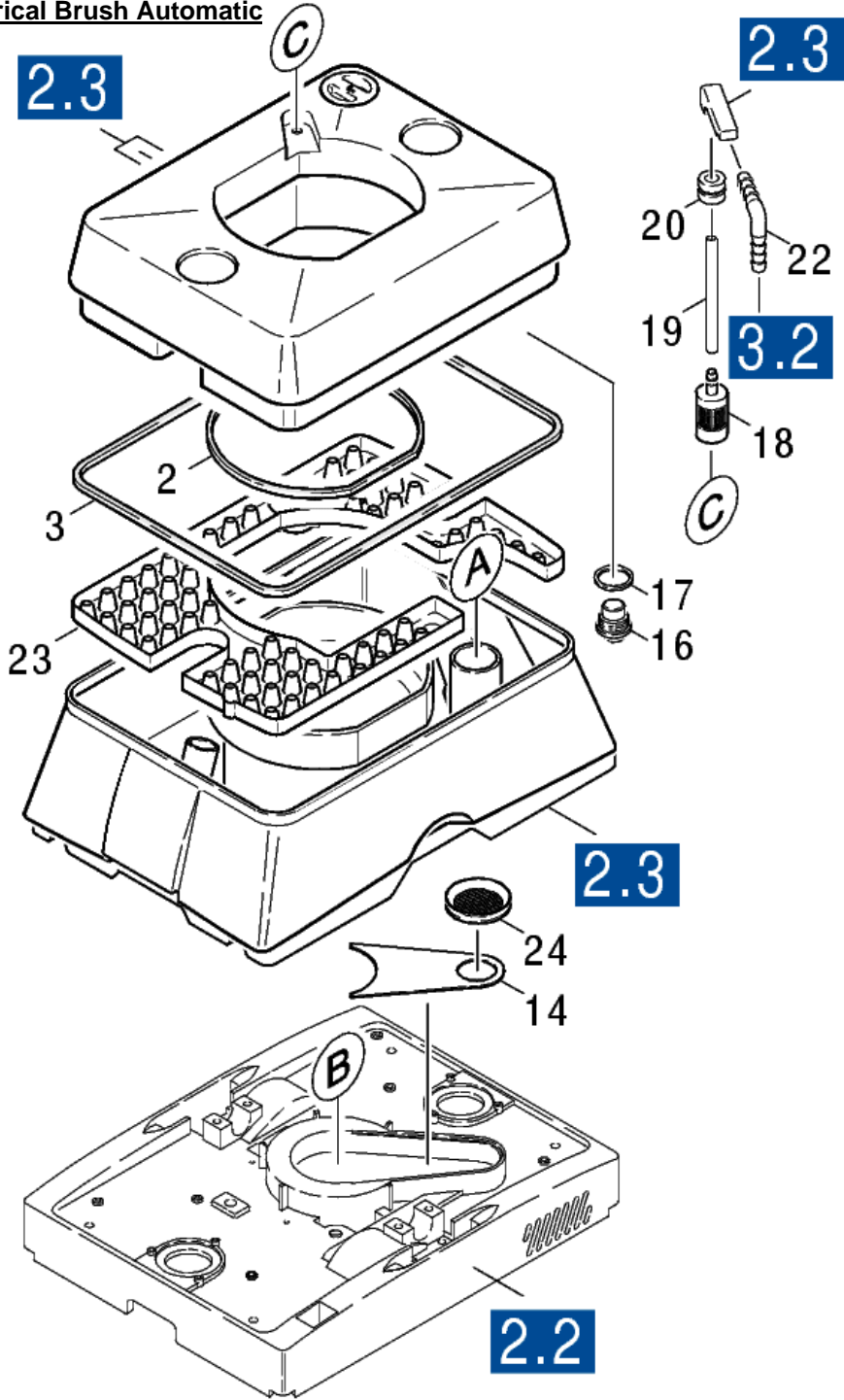
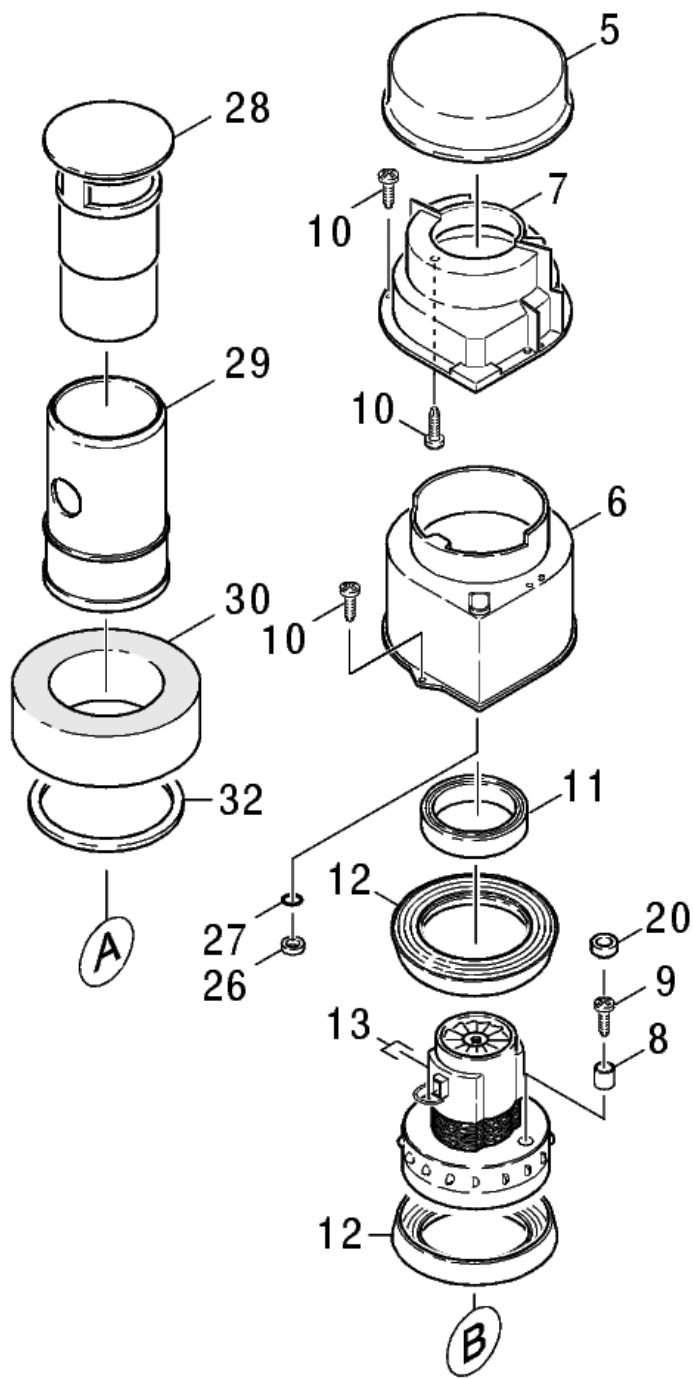
BEI BESTELLUNG AUF
AUSFUEHRUNG ACHTEN !

FOR ORDERS PAY
ATTENTION TO VERSION !

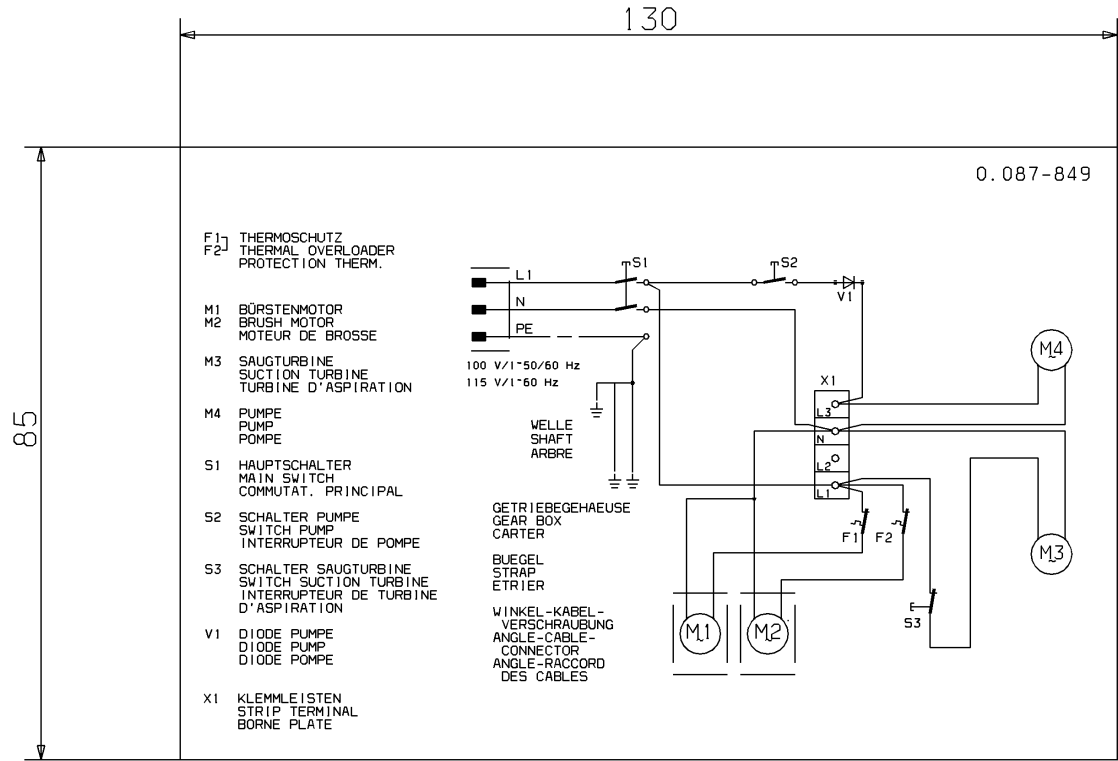
POUR DES COMMANDES IL
FAUT CONSIDERER LA VERSION !

Top Unit - Vacuum Motor
 Model :99405 16" BR 400 Cylindrical Brush Automatic

	Number	Description	Qty Req.
2	K53651770	SEAL	1
3	K53651780	SEAL	1
5	K50665790	COVER	1
6	K50605180	HOUSING	1
7	K51222040	FLANGE	1
8	K51101770	SLEEVE	1
10	K73031040	SCREW 5 X 16	10
11	K62730600	PROFILE RING	1
12	K53633210	JOINT RING	1
13	K64900950	VACUUM MOTOR	1
14	K50012940	PLATE	1
16	K54111110	CLOSING SCREW	1
17	K63623580	SEAL	1
18	K57310400	USE #K57316090FILTER	1
	K64142770	FILTER	1
19	K50286810	USE #K50292010PIPE	
	K50292010	PIPE	
20	K66414050	BUSH	2
22	K63865750	ANGLE-HOSE UNION	1
23	K50310660	HOSE-PROOF PROTECTION	1
24	K53633440	FILTER	1
25	K53790070	RUBBER RING	1
26	K53633450	JOINT RING	1
27	K73620050	JOINT RING	1
28	K46920250	AIR CIRCULATION	1
29	K50287540	PIPE	1
30	K55850200	FLOAT	1
32	K51157050	WASHER	1



Dieses Blatt darf nicht vervielfältigt und nicht ohne unsere schriftliche Genehmigung dritten Personen mitgeteilt werden. Wir behalten uns das Recht der ausschliesslichen Auswertung unseres geistigen Eigentums vor.



UMRANDUNG NICHT SICHTBAR
BESCHRIFTUNG SCHWARZ
FORMAT GEFALTET

WERKSTOFF: 135/m² hfr BILDERDRUCK
FARBE: WEISS

ERSTMUSTERPRUEFUNG Ja

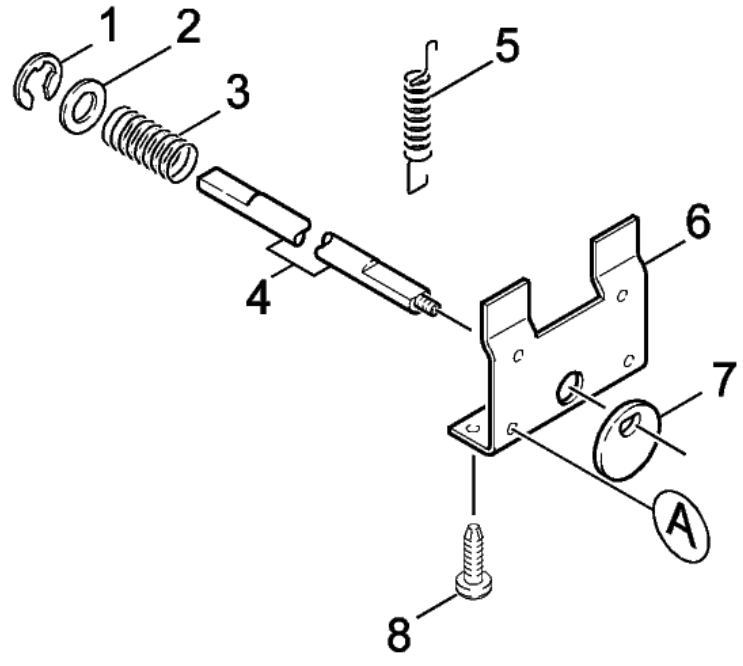
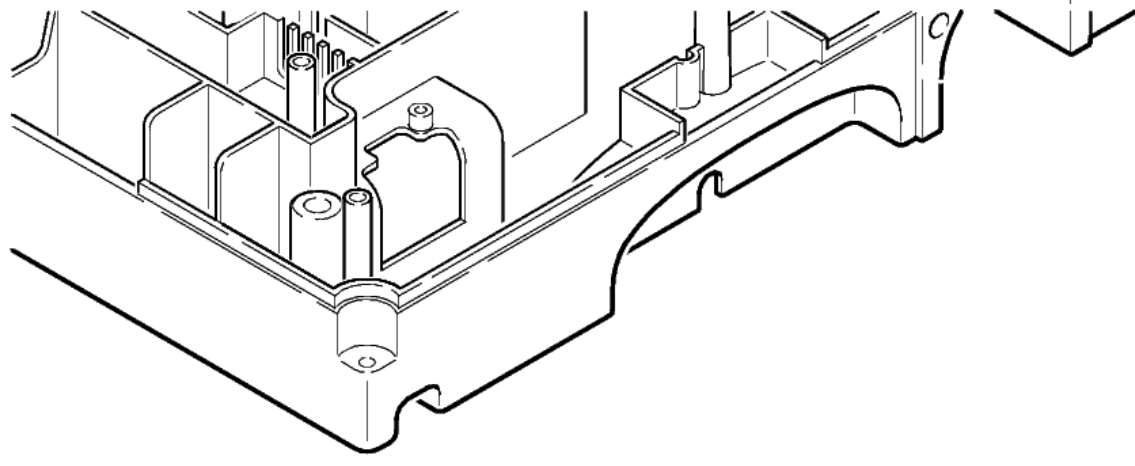
= Pruefmass

Werkstoff n. DIN		Allgemein-Toleranzen ----- Tolerierung DIN ISO 8015	Oberflaeche DIN EN ISO 1302		Material-Nr. (Z.-Nr.) 0.087-849.0				
Halbzeug			Ersatz fuer 25.09.1998	Benennung SLP BR 400 *UL					
WERKSTOFFBEZEICHNUNG GEPR. <input type="checkbox"/> Ja SCHWEISSTECHNISCH GEPR. <input type="checkbox"/> Ja			Dokument SLP BR 400 *UL	Nummer 5048764	Art C2D	Vers. 00	Masstab ----	Blatt 001	Blz. 1
Datum 24.11.2003	Gezeichnet AWOSWA	Geprueft AWOSWA	Normgepr. AWOHD	Aend.- Ind. c	Anz. Aend. 1	Freig./ Aend.-Nr. 2004988	Erstesteller AWOSWA		Erstestelldatum 24.11.2003
4	3			2			1		

Bottom Unit - Height Adjustment-1

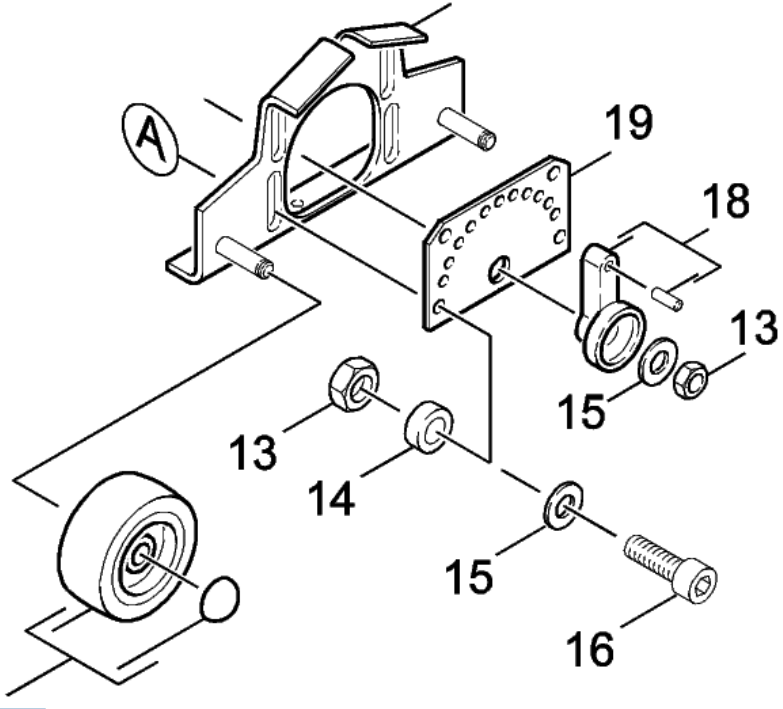
Model :99405 16" BR 400 Cylindrical Brush Automatic

	Number	Description	Qty Req.
1	K73433030	LOCK WASHER	1
2	K51152390	WASHER	1
3	K53322070	HELICAL SPRING	1
4	K51001460	SHAFT	1
5	K53323110	EXTENSION SPRING	2
6	K50465180	PLATE	2
7	K51250320	ECCENTRIC	2
8	K73031040	SCREW 5 X 16	4
13	K73110670	HEX NUT M6	9
14	K51124480	BUSH	8
15	K73120260	WASHER 6 -A2 ISO 7090	9
16	K73060310	SCREW M 6X 16	8
18	K44810800	HANDLE	2
	K44811840	HANDLE	2
19	K50013950	PLATE	2



3.4

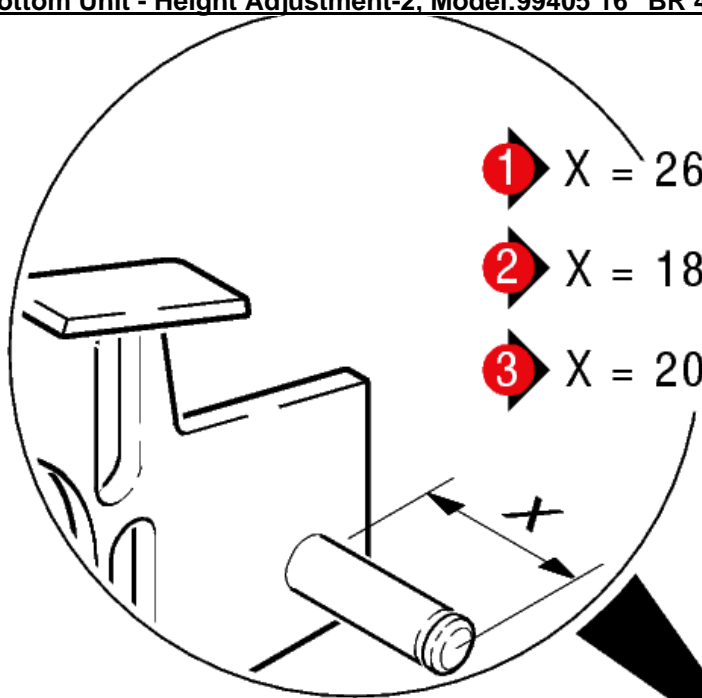
3.4



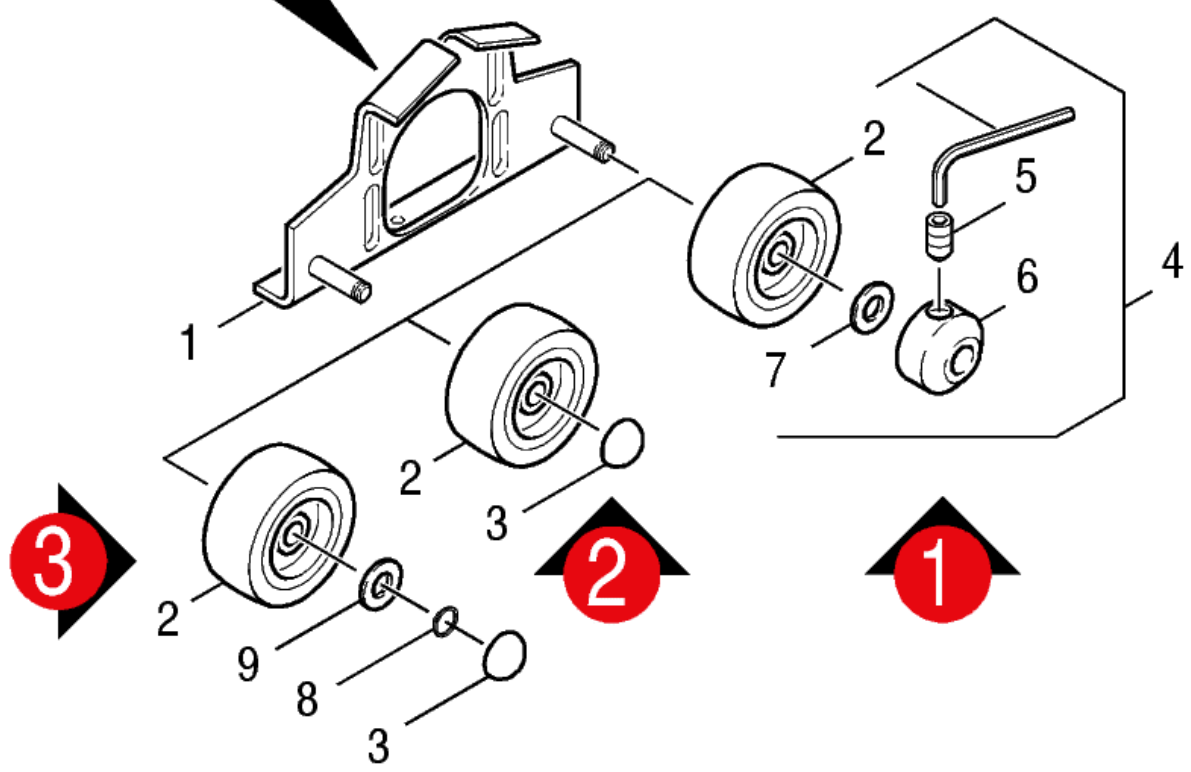
Bottom Unit - Height Adjustment-2

Model :99405 16" BR 400 Cylindrical Brush Automatic

	Number	Description	Qty Req.
1	K40426810	(MS) BRACKET	2
	K40427130	USE #K40428890 K73431270 _K73620020	2
	K40428890	BRACKET	2
2	K55151200	WHEEL	4
	K64352670	WHEEL	4
	K64353730	WHEEL D50	4
3	K63431320	WHEEL CAP	4
4	K28823880	CONVERSION KIT	1
5	K73073600	THREADED PIN	4
6	K51142230	SET COLLAR	4
7	K73120170	WASHER 8-A2 EN ISO 7089	4
8	K73431270	SPRING CLIP	4
9	K73620020	RING-JOINT 8 X 11.5	4



- 1 X = 26,6 mm = 4.042-681.0
- 2 X = 18,3 mm = 4.042-713.0
- 3 X = 20.3 mm = 4.042-889.0

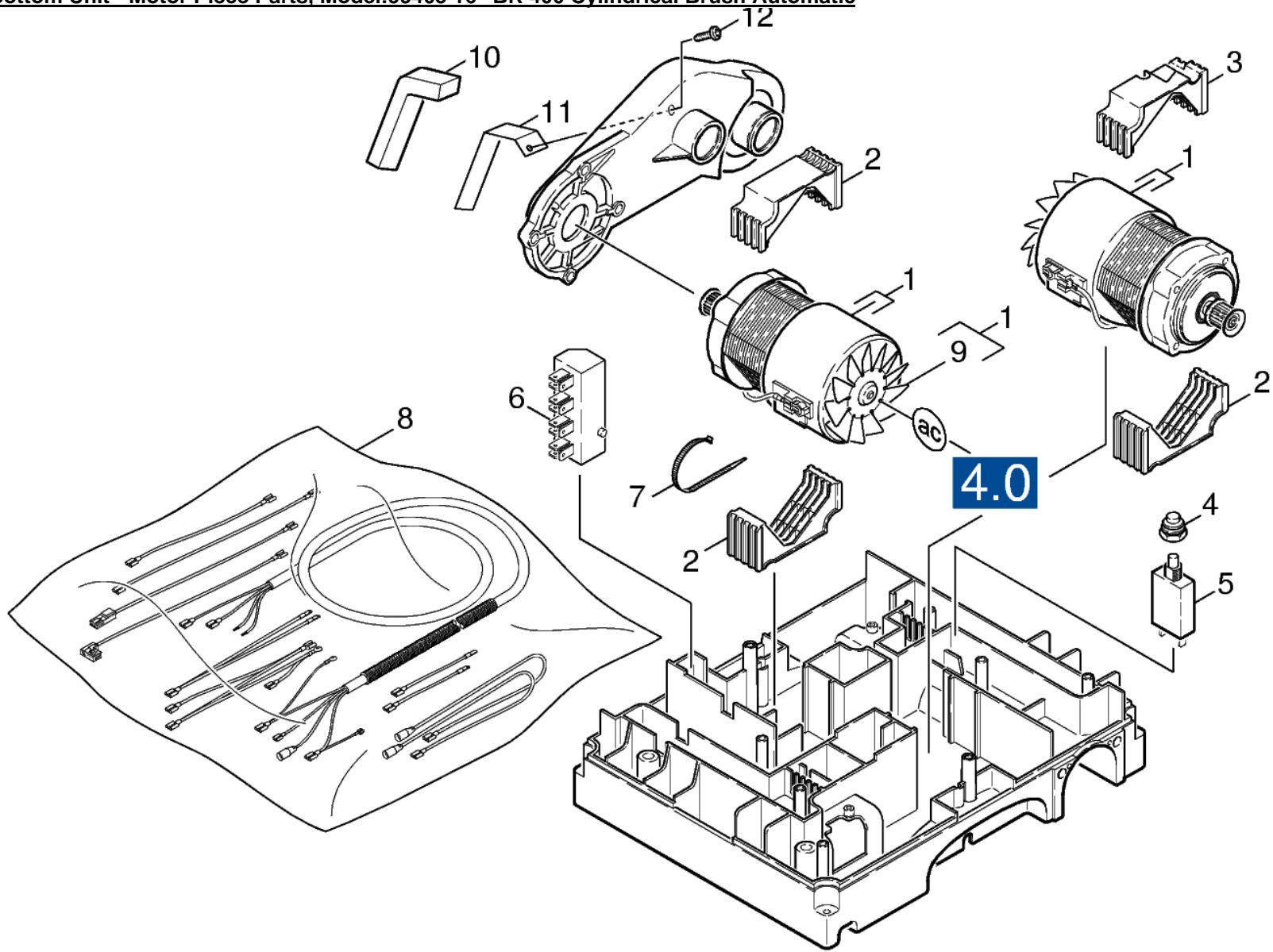


Bottom Unit - Motor Piece Parts

Model :99405 16" BR 400 Cylindrical Brush Automatic

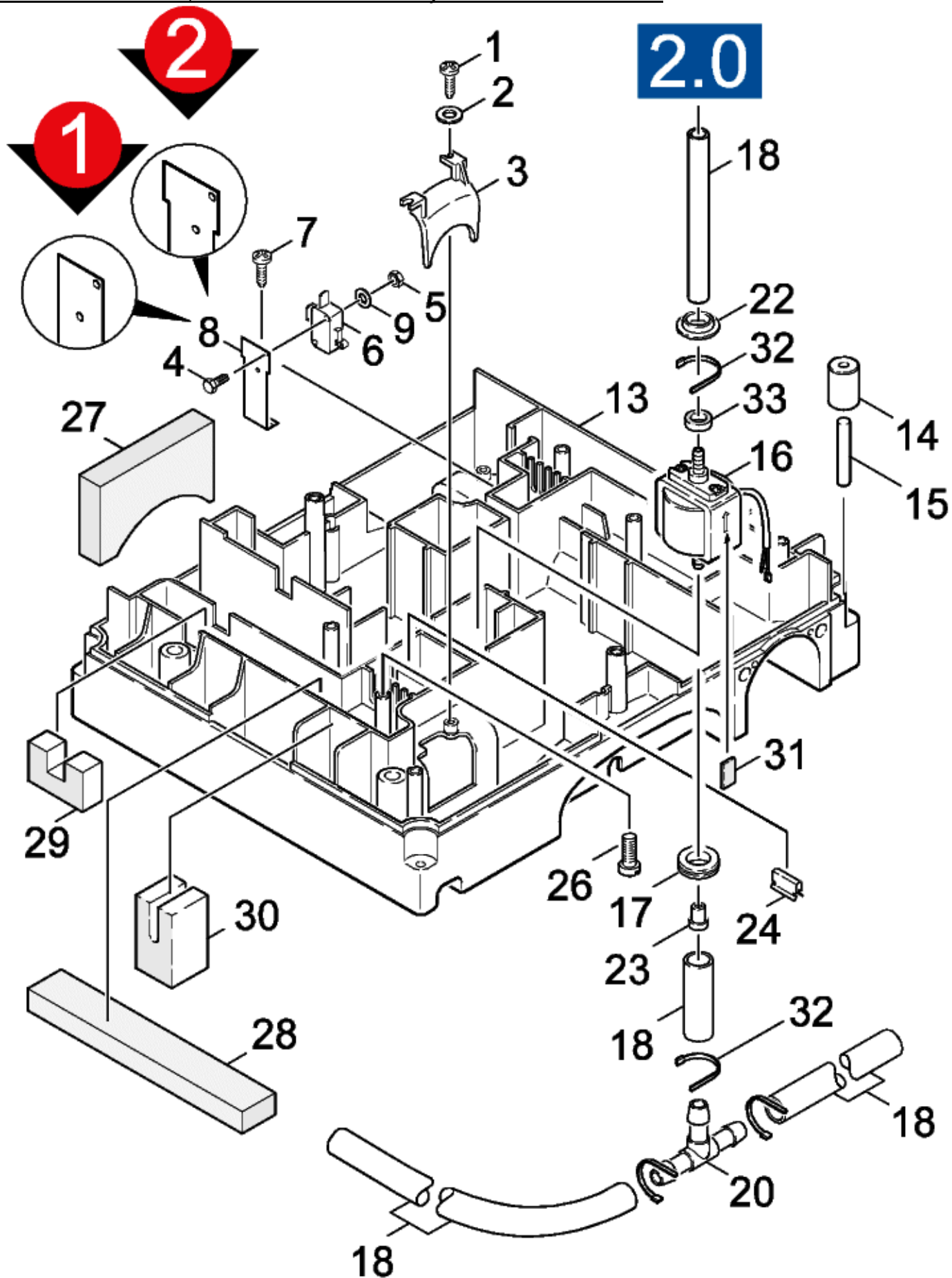
	Number	Description	Qty Req.
1	K46232780	MOTOR	1
2	K56720280	BRACKET (MOTOR)	3
3	K56720360	BRACKET (MOTOR)	1
4	K63682010	PROTECTING CAP	2
5	K66317470	MOTOR PROT. SWITCH	2
6	K66435370	DISTRIBUTOR STRIP	2
7	K66414580	CABLE TIE	2
8	K48391360	ELECTRIC PARTS	1
10	K53634260	SEAL	2
11	K50441500	BRACKET	2
12	K73030300	SCREW	2

Bottom Unit - Motor Piece Parts, Model:99405 16" BR 400 Cylindrical Brush Automatic



Bottom Unit - Piece Parts
 Model :99405 16" BR 400 Cylindrical Brush Automatic

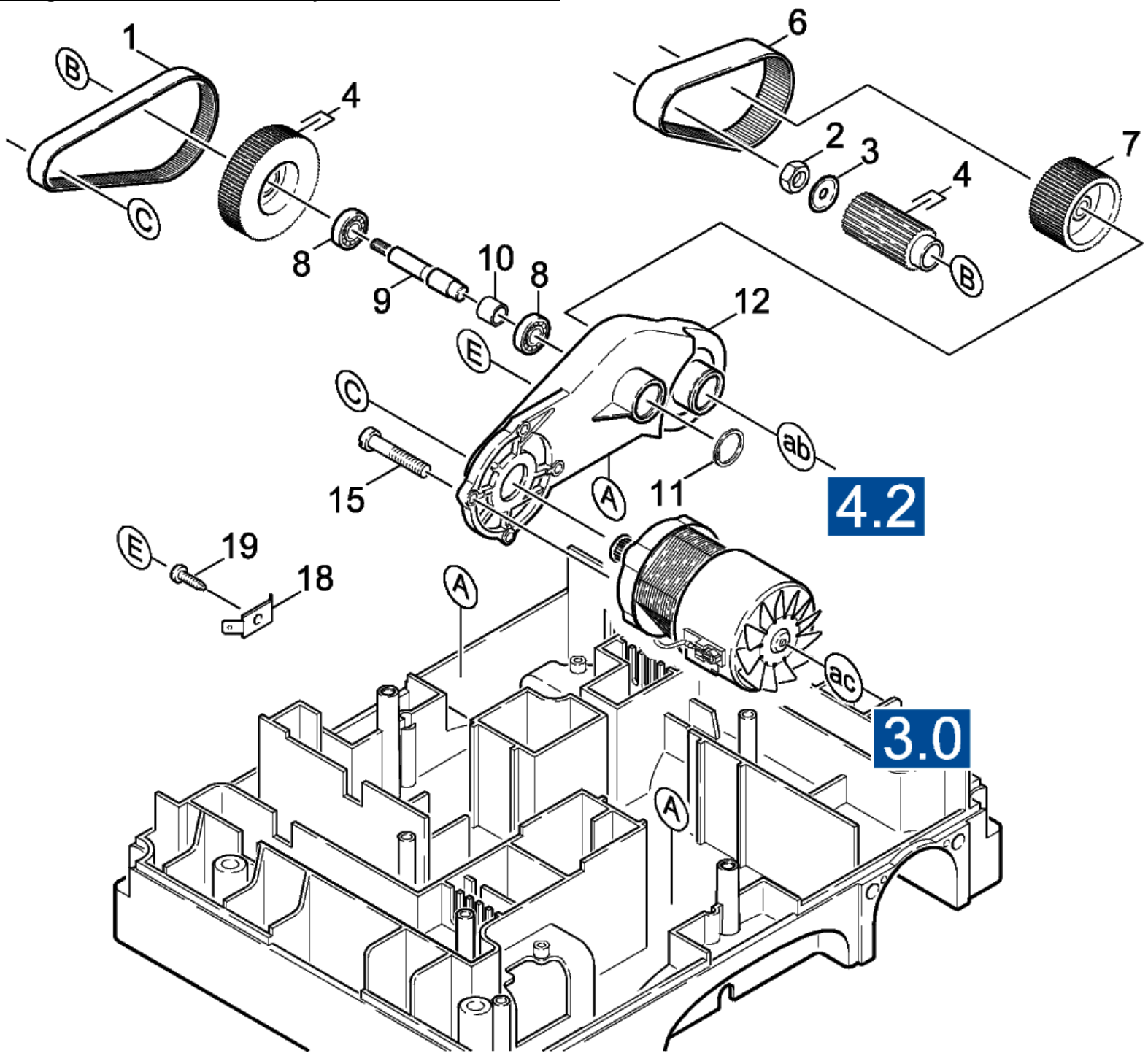
	Number	Description	Qty Req.
1	K73031040	SCREW 5 X 16	4
2	K73122930	WASHER 4 3	4
3	K50635120	COVER	2
4	K73060540	USE #K73064060SCREW M 3 X 16	2
5	K73114330	HEX NUT	2
6	K66317350	MICRO SWITCH	1
	K66317450	(MS) MICRO SWITCH	1
7	K63031220	OVAL HEAD SCREW	1
8	K50192060	ANGLE	1
9	K73122940	WASHER	1
13	K40603410	HOUSING MOTOR	1
13	K40603380	HOUSING	1
14	K55150450	ROLLER	4
15	K73141470	STRAIGHT PIN	4
16	K64732040	MOTOR-DRIVEN PUMP	1
17	K66473650	CABLE GLAND	1
18	K63882160	HOSE SOLD IN INCHES	1
20	K63884090	T-RUBBER BUSHING	1
22	K53633300	JOINT RING	1
23	K51310240	SCREEN	1
24	K63736110	U-BRACKET	2
26	K73090310	CHEESE HEAD SCREW	9
27	K56730560	INSULATING PLATE	2
28	K56730540	INSULATING PLATE	2
29	K56730550	INSULATING PLATE	2
30	K56730570	INSULATING MAT	2
31	K62860010	TESAMOLL 19X3	1
32	K66414630	CABLE TIE	2
33	K53633450	JOINT RING	1



Gearing

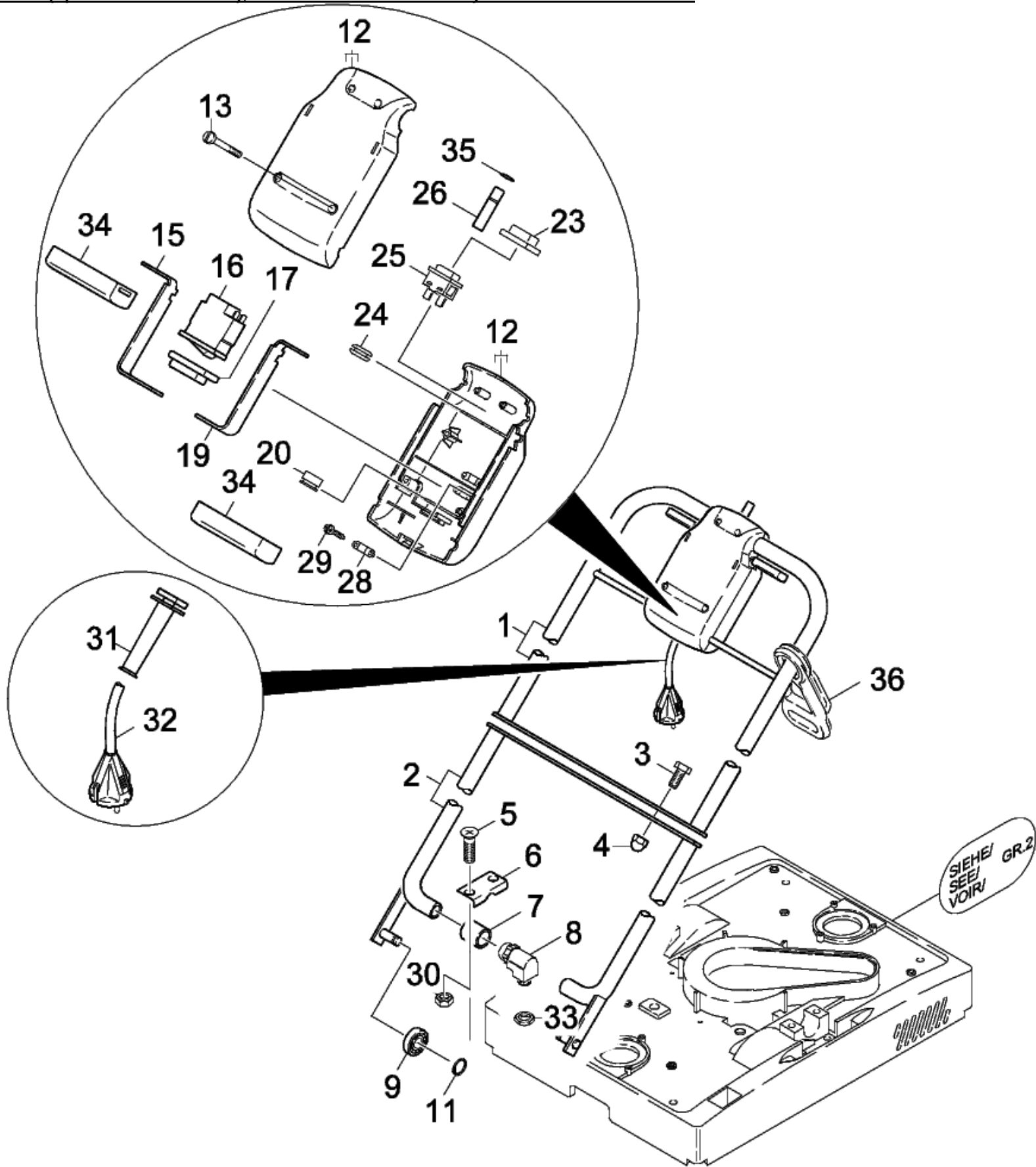
Model :99405 16" BR 400 Cylindrical Brush Automatic

	Number	Description	Qty Req.
1	K63482650	TOOTHED BELT	2
2	K73110680	HEX NUT M8-A2-70 ISO 4032	2
3	K51155900	WASHER	2
4	K46250090	SET OF PULLEYS	2
6	K63482640	TOOTHED BELT	2
7	K56252430	PULLEY	2
8	K74011110	USE #K64013630	4
9	K51001220	SHAFT	2
10	K51105280	SLEEVE	1
11	K73431510	SAFETY RING	2
12	K50604460	HOUSING	2
15	K73030830	SHEET METAL SCREW	8
18	K66412690	PLUG	1
19	K73030300	SCREW	4



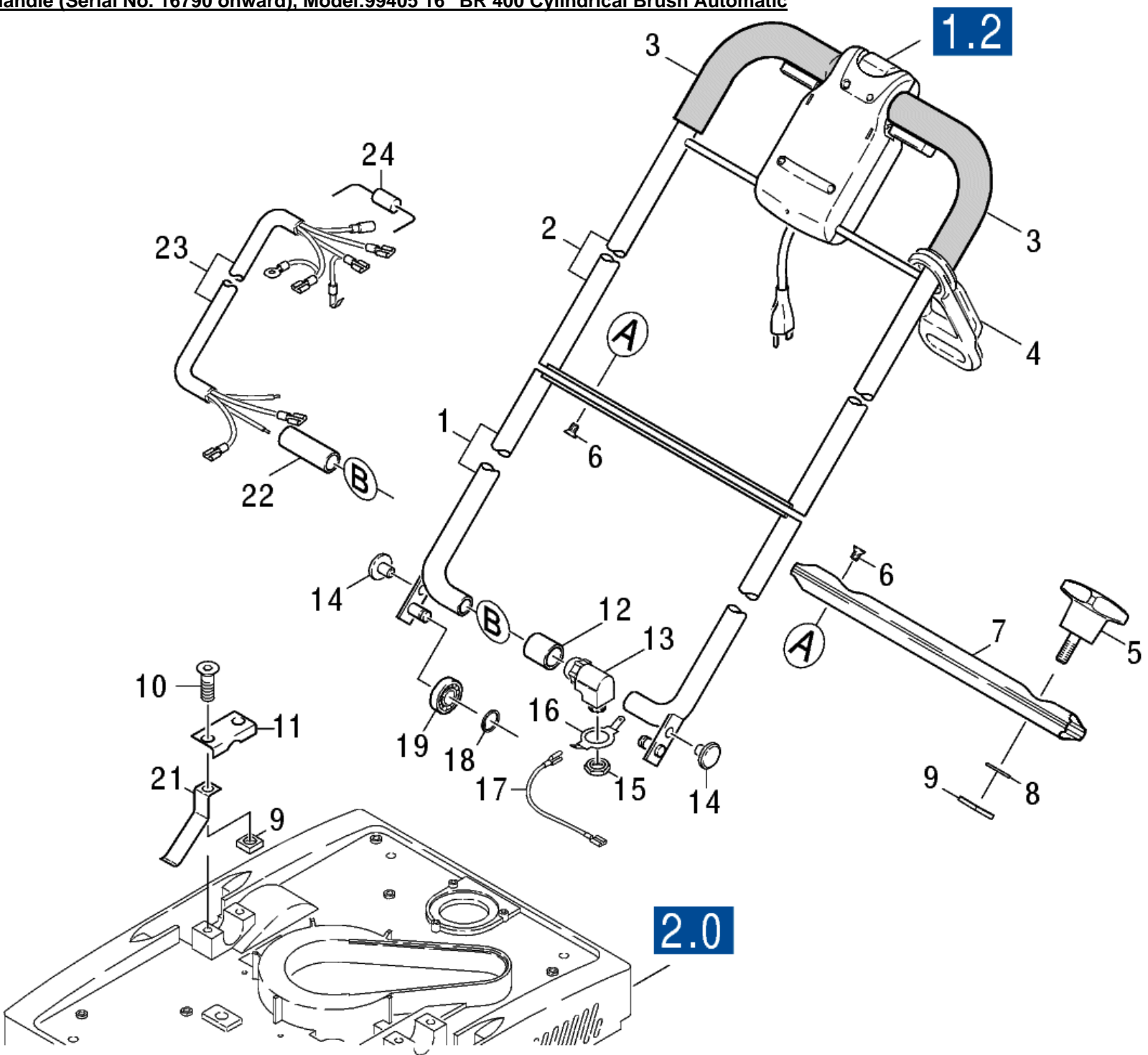
Handle (up to Serial No. 16789)
 Model :99405 16" BR 400 Cylindrical Brush Automatic

	Number	Description	Qty Req.
1	K40340790	STRAP	1
2	K40340780	STRAP	1
3	K73043950	SCREW	2
4	K73116200	CAP NUT	2
5	K73056370	FLAT HEADED SCREW M 8 X 16	4
6	K50013890	PLATE	2
7	K51124660	BUSH	2
8	K66473440	ANGLE-CABLE CONNECTORSEE SUBSTITUTION SCREEN	1
9	K74011490	BALL BEARING	2
11	K73433000	LOCK WASHER	2
12	K50605140	(MS) HOUSINGREFER TO SCREEN 13.20	1
13	K73063370	OVAL HEAD SCREW	4
15	K50465200	PLATE	1
16	K66317460	ROCKER SWITCH	1
17	K66317600	(MS) SWITCH COVER	1
19	K50465190	PLATE	1
20	K66473650	CABLE GLAND	2
23	K66316180	CAP	1
24	K66473560	RUBBER BUSHING	2
25	K66317480	TASTER	1
26	K55600360	PRESS SLIDE	1
28	K63733190	CABLE CLAMP	2
29	K63030830	OVAL HEAD SCREW	4
30	K73115700	SQUARE NUT M8-05-A2E DIN 557	4
31	K53941380	PROTECTION PART	1
32	K66475120	CABLE	1
33	K66414800	COUNTERNUT	1
34	K53214570	HANDLE	2
35	K73433030	LOCK WASHER	1
36	K66417760	PULL RELIEF	1



Handle (Serial No. 16790 onward)
 Model :99405 16" BR 400 Cylindrical Brush Automatic

	Number	Description	Qty Req.
1	K40340850	STRAP	1
2	K40340860	STRAP	1
3	K54429680	USE #K63211170CELLULAR HANDLE	2
4	K66417760	PULL RELIEF	1
5	K53214870	STAR HANDLE	2
6	K73050290	SCREW-FLAT HEADED M6 X	6
7	K55010450	HINGE	1
8	K73432040	LOCK WASHER	2
9	K73115700	SQUARE NUT M8-05-A2E DIN 557	6
10	K73056370	FLAT HEADED SCREW M 8 X 16	4
11	K50013890	PLATE	2
12	K51124660	BUSH	2
13	K66473440	ANGLE-CABLE CONNECTORSEE SUBSTITUTION SCREEN	1
	K66477160	ANGLED CABLE GLAND	1
14	K53167790	BOLT	2
15	K66414800	COUNTERNUT	1
16	K50048030	RETAINER CLIP	1
17	K66477300	CABLE	1
18	K73433000	LOCK WASHER	2
19	K74011490	BALL BEARING	2
21	K53370240	PLATE SPRING	2
22	K66420560	INSULATING HOSE	1
23	K48391580	CABLE - HANDLE POWER	1
24	K66640150	DIODE	1



Handle Switch Box (Serial No. 16790 onward)

Model :99405 16" BR 400 Cylindrical Brush Automatic

	Number	Description	Qty Req.
1	K73063370	OVAL HEAD SCREW	4
	K73063420	OVAL HEAD SCREW	4
2	K50605140	(MS) HOUSINGREFER TO SCREEN 13.20	2
3	K53240320	CALIPERS	1
4	K73145170	GROOVED PIN	1
5	K66316180	CAP	1
6	K66317480	TASTER	1
9	K66473560	RUBBER BUSHING	2
10	K63733190	CABLE CLAMP	2
11	K73031020	SCREW 3 5X12	4
12	K66473650	CABLE GLAND	2
13	K53214570	HANDLE	2
14	K50465190	PLATE	1
15	K63893620	HOSE	2
16	K50500830	FRAME (SEND 2 PCS.)	1
17	K66317600	(MS) SWITCH COVER	1
18	K66317460	ROCKER SWITCH	1
19	K50465200	PLATE	1
20	K53941380	PROTECTION PART	1
21	K66475120	CABLE	1

