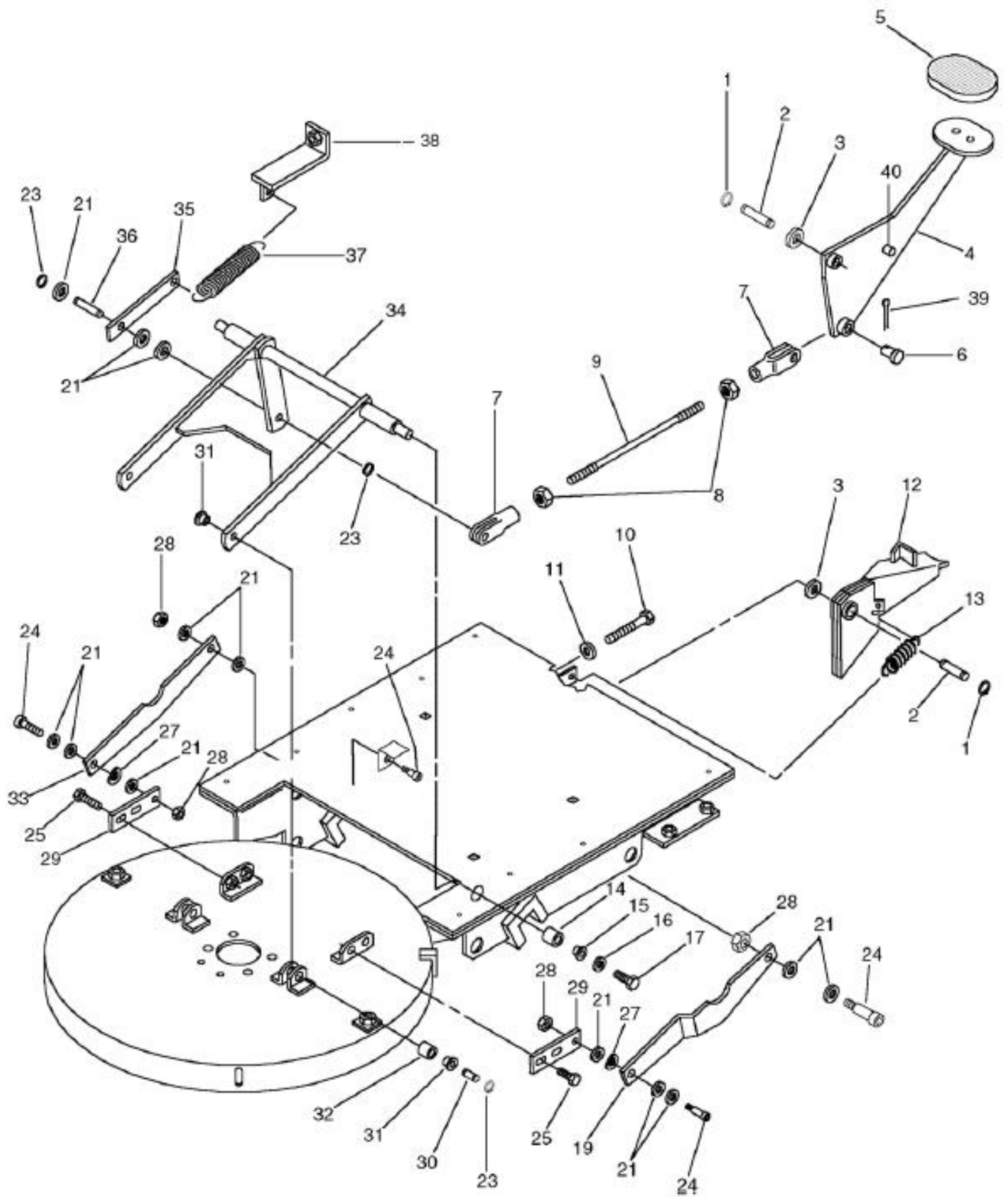


99125B - Series N Brush Lift Assembly

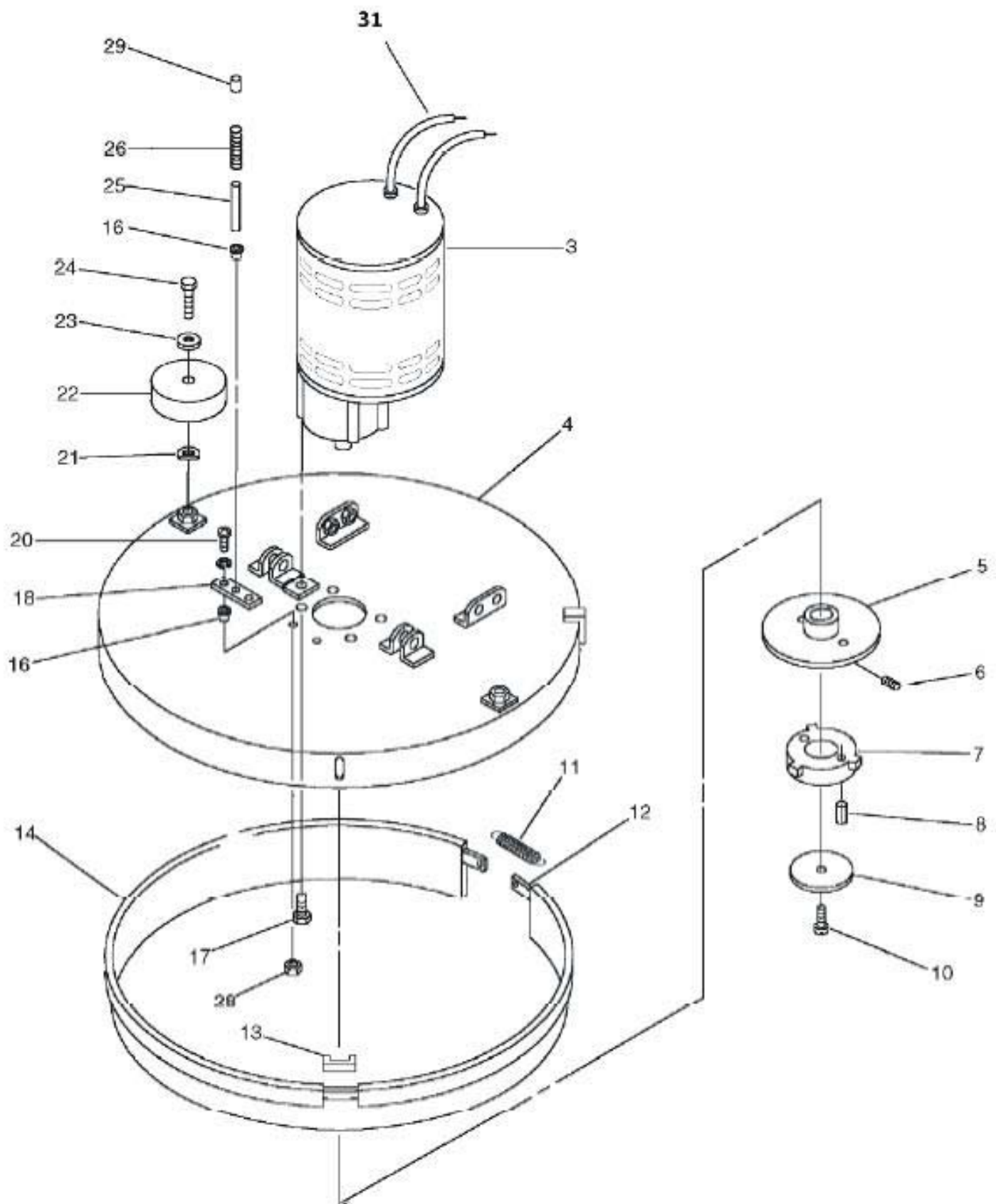
Model :99125B 20" EZ Floorkeeper (w/ 4-6 V Batteries) - Series N

	Number	Description	Qty Req.
1	03470	RETAINING RING	4
2	18122	PIN	2
3	19616	WASHER	4
4	19076	WELDMENT BRUSH LIFT PEDAL	1
5	19006	PEDAL MAT	1
6	18083	PIN, CLEVIS	1
7	18081	CLEVIS	2
8	18093	NUT, HEX	2
9	18191	LIFT ROD - ZINC PLATED	1
10	18399	SCREW	1
11	02568	WASHER	1
12	18758	WELDMENT, BRUSH RELEASE LATCH	1
13	18952	SPRING	1
14	18179	BEARING	2
15	03955	BUSHING	2
16	03321	WASHER	2
17	16671	SCREW	2
19	18185	ARM	1
21	03736	WASHER	13
22	18165	PIN	1
23	03947	RETAINING RING	4
24	15677	SCREW, SHOULDER	4
25	18872	SCREW	4
27	07132	WASHER	2
28	01589	NUT, HEX	2
29	18164	PLATE ADJUSTMENT	2
30	18163	PIN	2
31	16347	BEARING, FLANGE	4
32	18195	BEARING, SLEEVE	2
33	18166	ARM	1
34	18184	WELDMENT, BRUSH LIFT	1
35	18403	LINK	1
36	18405	PIN	1
37	18398	SPRING	1
38	18397	WELDMENT, ADJUSTMENT	1
39	03395	COTTER PIN	1
40	19078	PIN-SPRING	1



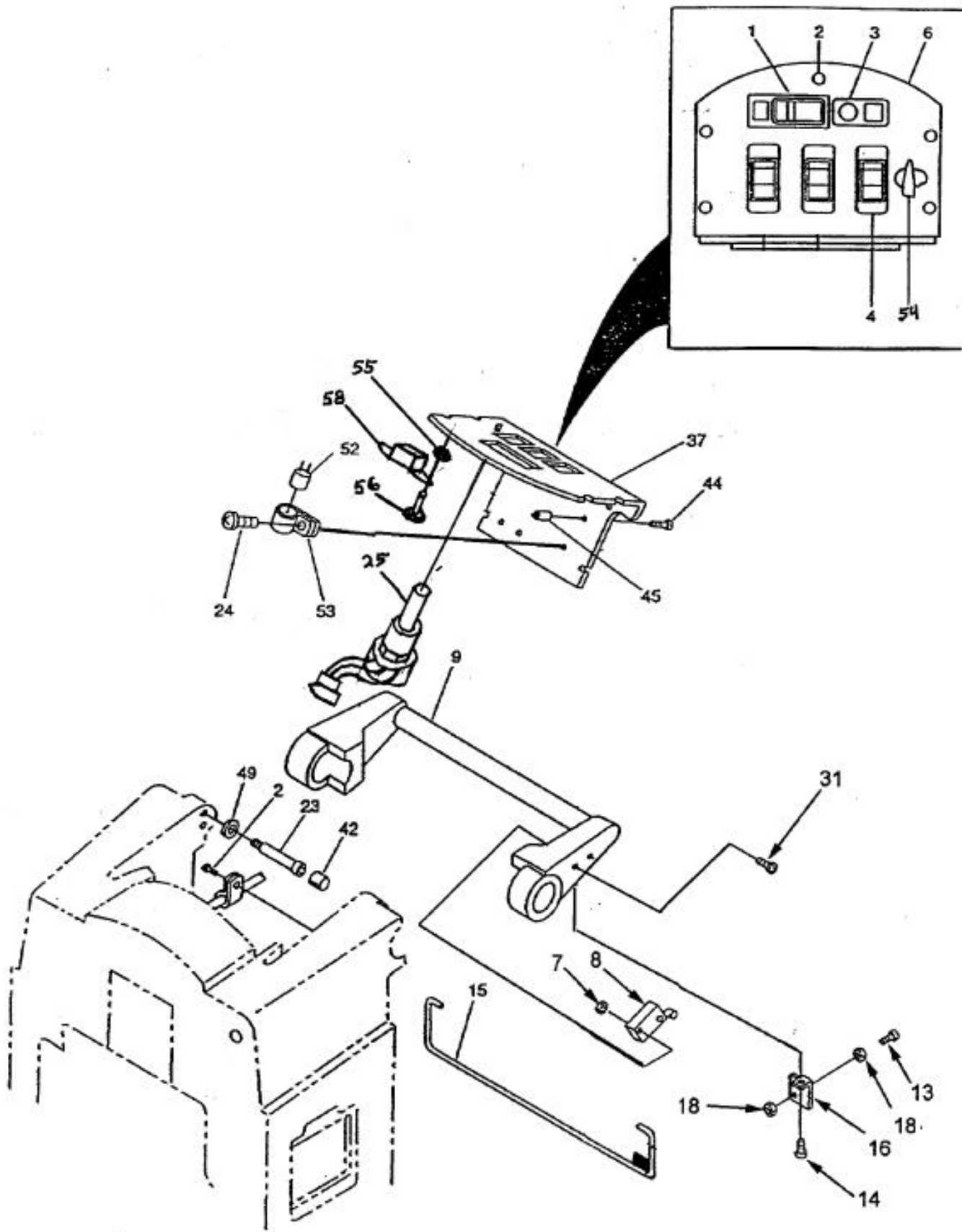
99125B - Series N Brush Motor & Cover Assembly
 Model :99125B 20" EZ Floorkeeper (w/ 4-6 V Batteries) - Series N

	Number	Description	Qty Req.
3	18076	MOTOR	1
4	18148	COVER, BRUSH	1
5	18388	PLATE	1
6	14241	SCREW	1
7	18389	PLATE, BRUSH RETAINER	1
8	18390	PIN GROOVED	2
9	18640	PLATE, CLUTCH RETAINING	1
10	18391	SCREW	1
11	16472	SPRING EXTENSION	1
12	18159	STRAP, BUMPER	1
13	17733	KEEPER	2
14	18161	BUMPER	1
16	16347	BEARING, FLANGED	2
17	16671	SCREW	4
18	18558	PLATE, BEARING RETAINER	1
20	00600	SCREW	2
21	07132	WASHER	4
22	30044	WHEEL	2
23	03736	WASHER	6
24	18130	SCREW	2
25	18165	PIN	1
26	06838	SPRING	1
28	02956	NUT, HEX	2
29	18593	CAP	1
30	99262	PAD HOLDER	1
31	16879	LABEL, WIRE	1



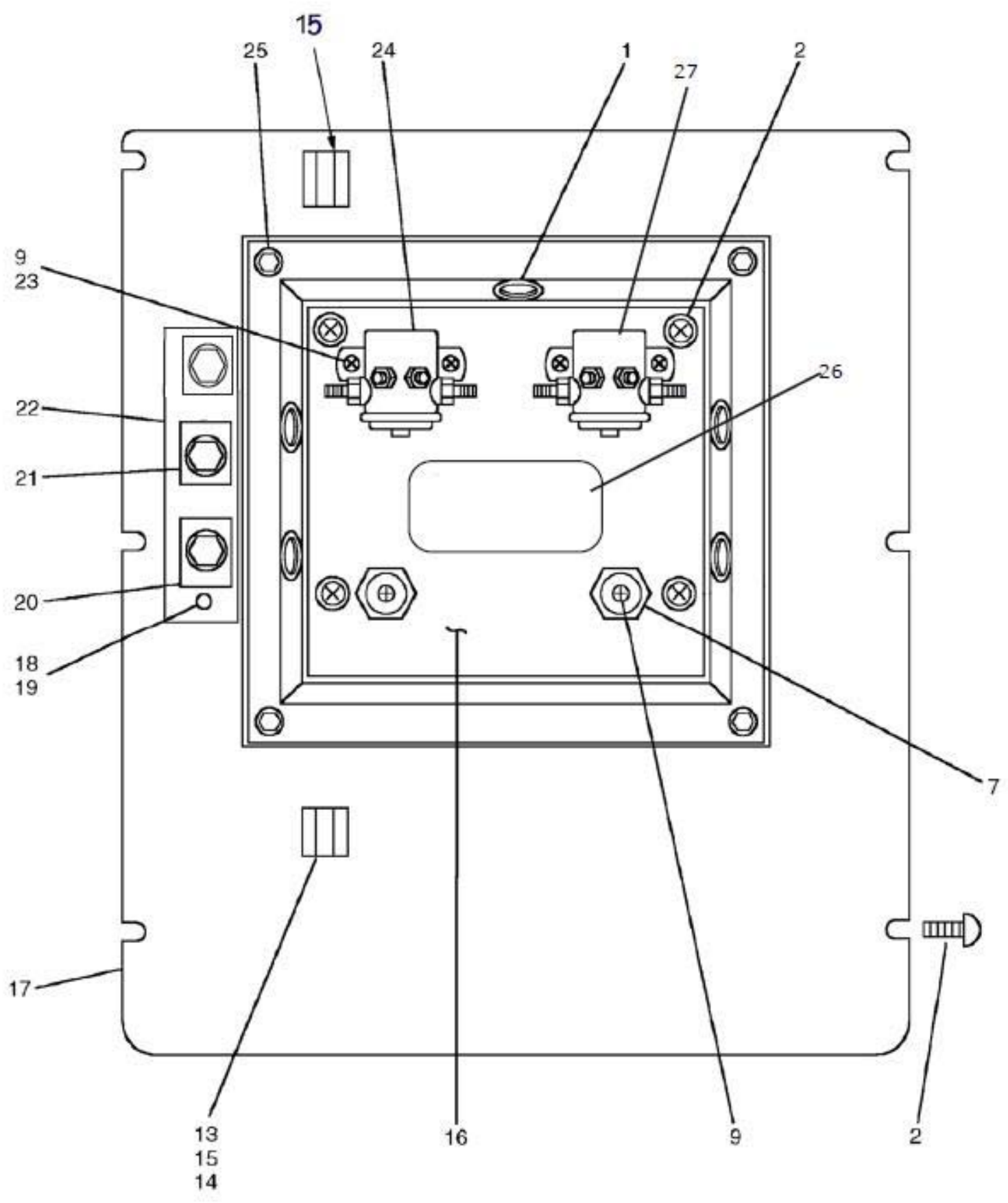
99125B - Series N Control Instrument Assembly
 Model :99125B 20" EZ Floorkeeper (w/ 4-6 V Batteries) - Series N

	Number	Description	Qty Req.
1	18221	GUAGE	1
2	18253	SCREW	10
3	18218	INDICATOR LIGHT, RED	1
4	33895	SWITCH	3
6	33894	CONTROL PANEL	1
7	15560	NUT	2
8	15542	SWITCH	1
9	33890	HANDLE CONTROL	1
13	18897	SCREW	1
14	02071	SCREW	2
15	18895	WELDMENT, BRUSH ACTUATION	1
16	18675	BRACKET	1
18	02956	NUT	2
23	08079	SCREW	4
24	16075	SCREW	1
25	18905	POTENTIOMETER	1
31	18323	SCREW	2
37	31028	PANEL	1
42	18593	CAP	1
44	18677	SCREW	1
45	18657	SPACER	1
49	14142	WASHER	4
52	14827	FLASHER RELAY	1
53	15913	CLAMP	1
54	33914	KNOB, SPEED CONTROL	1
55	15560	NUT, HEX	2
56	18845	SCREW	2
57	18219	CIRCUIT BREAKER	2
58	30829	RELAY	1



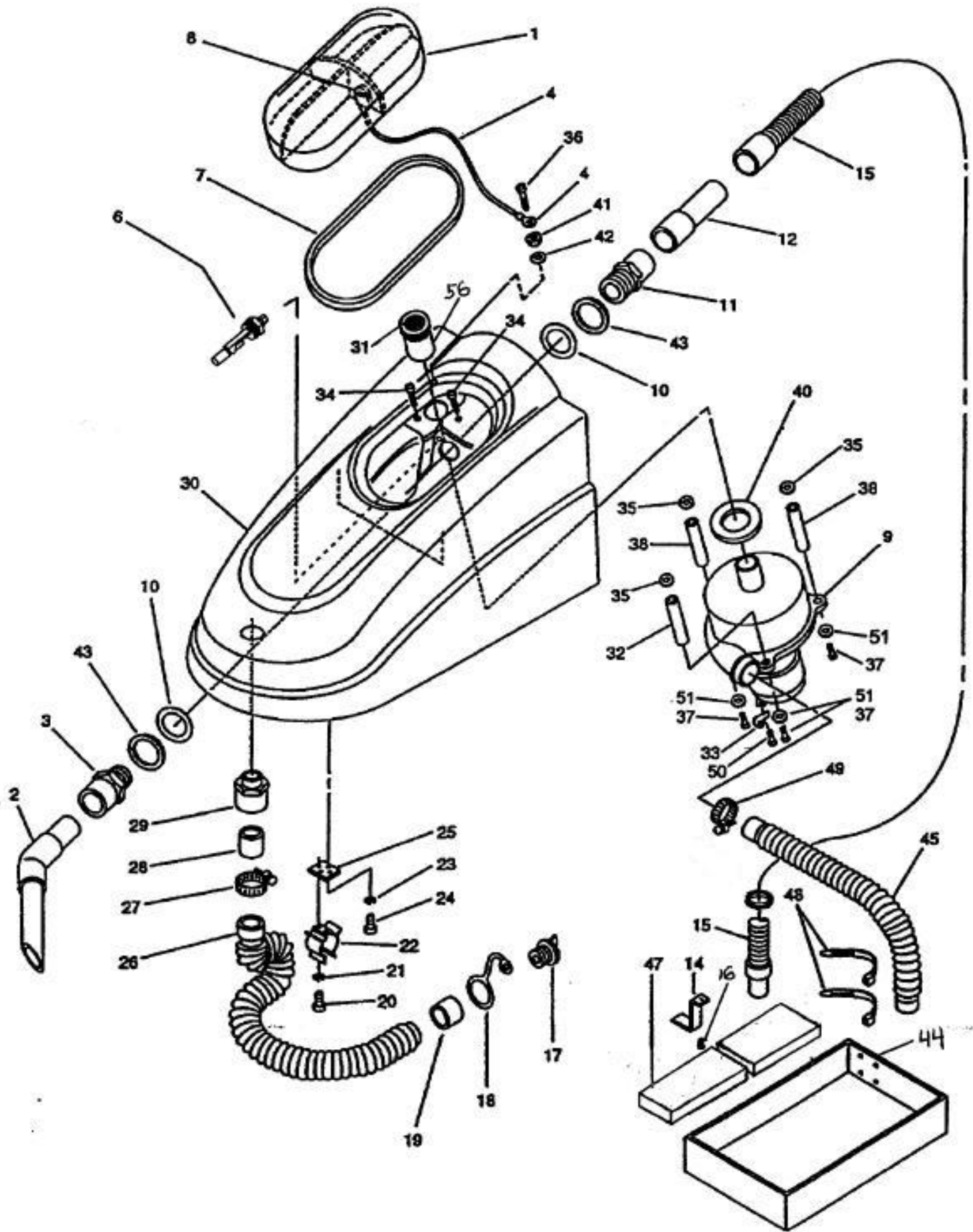
99125B - Series N Rear Access Panel Assembly
 Model :99125B 20" EZ Floorkeeper (w/ 4-6 V Batteries) - Series N

	Number	Description	Qty Req.
1	15330	GROMMET	4
2	06192	SCREW	8
5	05427	SCREW	1
7	15345	INSULATOR, BUSHING	2
9	04442	SCREW	10
13	00128	SCREW	4
14	02956	NUT	4
15	18468	18468	2
16	18255	RELAY MOUNTING PLATE	1
17	31028	PANEL	1
18	03660	SCREW	2
19	10894	NUT	4
20	18219	CIRCUIT BREAKER, 25A	2
21	18220	CIRCUIT BREAKER, 45A	1
22	18355	PLATE, CIRCUIT BREAKER MOUNTING	1
23	15545	NUT, RETAINER	4
24	33910	RELAY	1
25	19329	PIN, RETAINING ACCESS PANEL	4
26	33664	CONTROLLER, I-DRIVE	1
27	33909	RELAY 24V 50A	1
NOT SHOWN	18308	COVER, PANEL	1
NOT SHOWN	30830	SPEED CONTROL BOARD	1
NOT SHOWN	02958	NUT	3
NOT SHOWN	16674	GROMMET	0.5 FT



99125B - Series N Recovery Tank Assembly
 Model :99125B 20" EZ Floorkeeper (w/ 4-6 V Batteries) - Series N

	Number	Description	Qty Req.
1	18741	COVER, RECOVER TANK	1
2	18799	DEFLECTOR, INTAKE	1
3	15088	ADAPTER FITTING	1
4	18789	CABLE, COVER RETAINING	1
6	19708	FLOAT ASSEMBLY	1
7	18742	GASKET	1
8	18790	CABLE CLASP	1
9	31129	MOTOR, VACUUM	1
10	05781	GASKET	2
11	15096	FITTING, FEMALE ADAPTER	1
12	18259	SLEEVE, HOSE	1
14	18241	BRACKET HOSE SUPPORT	1
15	18747	HOSE	1
16	18253	SCREW	2
17	18226	PLUG	1
18	18358	STRAP, HOSE PLUG RETAINER	1
19	18357	SLEEVE, RECOVERY DRAIN	1
20	01734	SCREW	6
21	01246	WASHER	6
22	18671	CLIP, DRAIN HOSE	3
23	01905	WASHER, LOCK	6
24	01993	SCREW	6
25	18439	PLATE	3
26	19286	HOSE	1
27	16091	CLAMP, HOSE	1
28	18401	SLEEVE	1
29	18052	FITTING, MALE ADAPTER	1
30	31990	TANK, RECOVERY	1
31	19398	VAC MOTOR INTAKE SCREEN	1
32	18846	SPACER	1
33	17392	CLAMP, CABLE	1
34	18342	SCREW	2
35	14142	WASHER	3
36	17177	SCREW	1
37	18333	SCREW	3
38	18349	SPACER	2
40	18847	GASKET	1
41	17508	NUT	1
42	18885	WASHER	1
43	18886	WASHER	2
44	18688	BATTERY TRAY	1
45	18687	HOSE	1
47	32344	WOOD BLOCK	2
48	18706	WIRE TIE	2
49	14858	HOSE CLAMP	1
50	04651	SCREW	1
51	00851	WASHER	3
53	99506	BATTERY 6V	4
54	99510	BATTERY CHARGER	1
56	18861	STAND PIPE	1
57	30725	CABLE	2



99125B - Series N Solution Tank Assembly
 Model :99125B 20" EZ Floorkeeper (w/ 4-6 V Batteries) - Series N

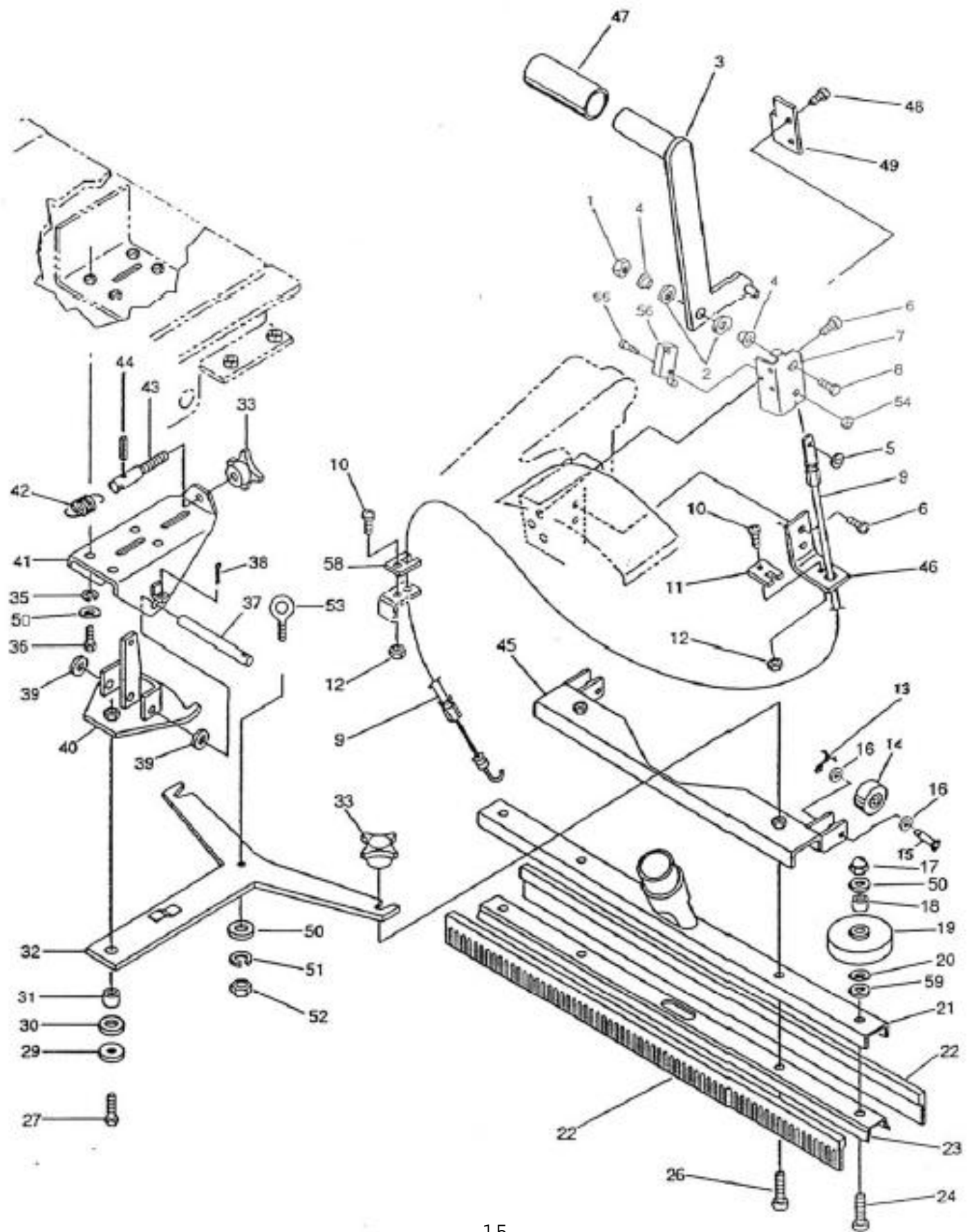
	Number	Description	Qty Req.
3	00128	SCREW	6
4	32231	DRAIN TUBE	1
5	18468	CLIP, SIGHT TUBE	2
6	03124	RIVET	3
7	03320	SCREW	1
8	18652	BRACKET, SOLUTION CONTROL	1
9	11219	WASHER	1
10	18328	PLATE, SOLUTION CONTROL	1
11	18261	PIN	3
12	18316	RETAINING RING	8
13	18329	BAR, LOWER LINK	1
14	15677	SCREW, SHOULDER	1
15	12671	WEIGHT	1
16	18209	FILL	1
17	07626	CLAMP	3
18	18684	BRACKET	1
19	07533	NUT, HEX	2
20	31253	VALVE, SOLUTION RELEASE	1
21	18485	FITTING	1
22	31646	HOSE	1
24	03736	WASHER	2
25	31648	FITTING	1
26	18253	SCREW	2
27	18455	SOLUTION TANK (W/ OPENING)	1
28	18466	PLATE, CONTROL HANDLE STOP	1
29	18262	PIN	1
30	18330	BAR, UPPER LINK	1
31	03868	NUT, HEX	1
32	18319	WELDMENT, SOLUTION CONTROL HANDLE	1
33	16347	BEARING, FLANGE	2
34	18249	BRACKET, HANDLE PIVOT	1
35	16136	SCREW	3
36	10894	NUT, HEX	2
37	18431	SOLUTION TUBE	1
38	01589	NUT	1
39	01246	WASHER, LOCK	1
40	19616	WASHER	2
41	01577	WASHER, LOCK	4
42	18339	SCREW	2
44	16031	SCREW	4
45	18229	HINGE	1
46	10721	GRIP	1
47	18308	ACCESS PANEL	1
48	18359	STOP CABLE	1
49	30816	DECAL-TORNADO W/LOGO	1
53	18377	DECAL, BATTERY MAINTENANCE	1
54	18381	DECAL, C.B. IDENTIFICATION	1
55	15734	DECAL, LEVEL GUAGE	1
56	06192	SCREW	10
57	14544	SCREW	2
58	30812	DECAL, TORNADO	1
59	17376	NUT	2
60	18237	CONNECTOR	1
61	18239	CONNECTOR	1
62	18240	BRACKET	1
63	18253	SCREW	4
64	18309	SCREW	2
65	18336	SCREW	2
67	05427	SCREW	2
71	03321	WASHER	4
72	18859	WARNING LIGHT ASSEMBLY KIT	1
75	18717	CLAMP	2

99125B - Series N Solution Tank Assembly
Model :99125B 20" EZ Floorkeeper (w/ 4-6 V Batteries) - Series N

	Number	Description	Qty Req.
76	18309	SCREW	2
77	10892	NUT	5
78	19945	SCREW	1
79	31649	FITTING	1
80	31647	ELBOW FITTING	1
81	31645	FITTING	1
82	18376	DECAL - SQUEEGEE CONTROL	1
83	18364	DECAL - SOLUTION CONTROL	1
84	18338	PLATE	1
85	16094	DECAL	1
86	18644	WASHER	1

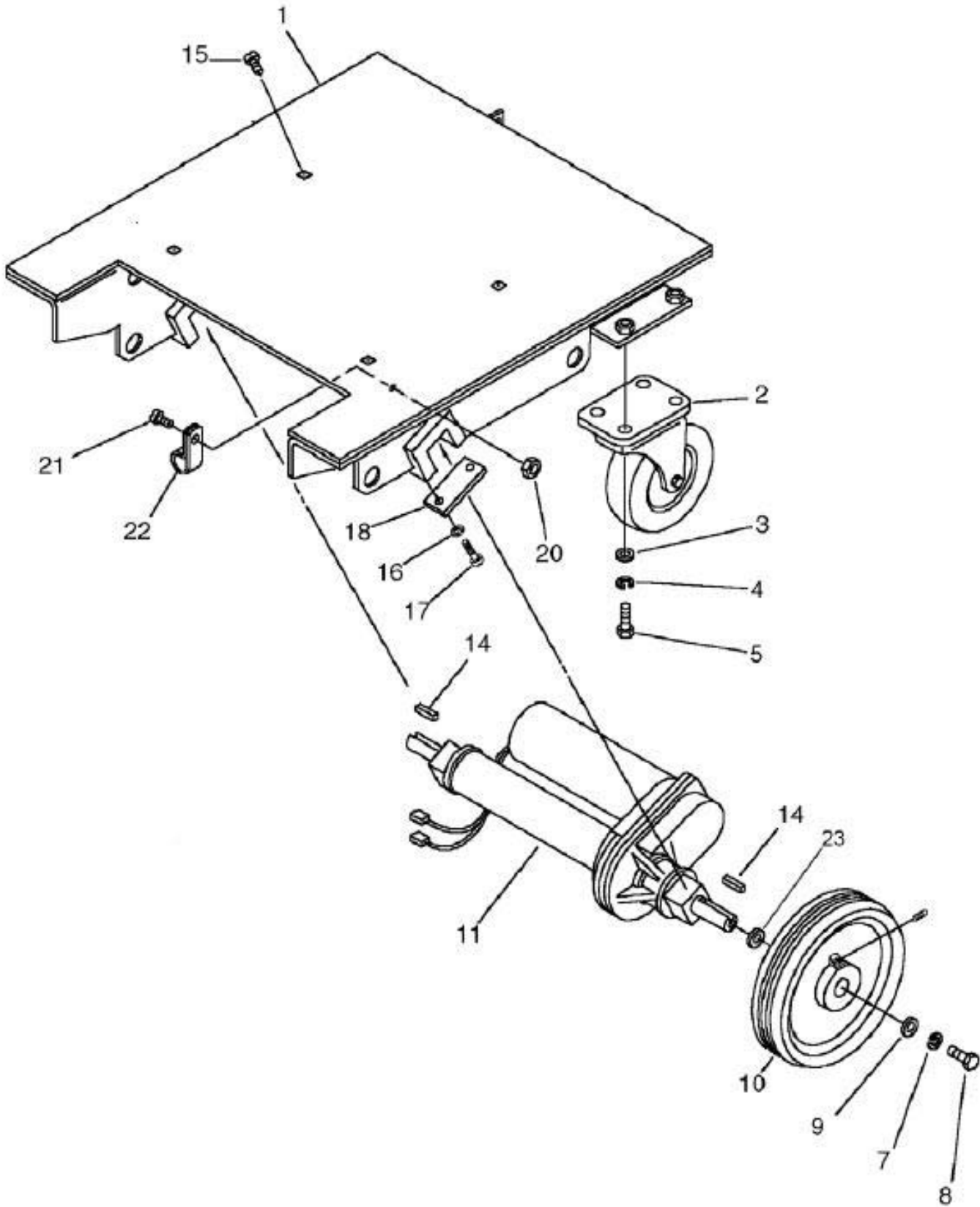
99125B - Series N Squeegee Assembly
 Model :99125B 20" EZ Floorkeeper (w/ 4-6 V Batteries) - Series N

	Number	Description	Qty Req.
1	03868	NUT	1
2	19616	WASHER	2
3	18314	HANDLE, SQUEEGEE CONTROL	1
4	16347	BEARING, FLANGED	2
5	18655	PUSH NUT	1
6	16136	SCREW	5
7	18817	BRACKET, HANDLE PIVOT	1
8	03320	SCREW	1
9	19910	CABLE ASSEMBLY	1
10	03660	SCREW	2
11	18651	PLATE, CONTROL CABLE CLASP	1
12	10894	NUT	2
13	30227	PIN COTTER	2
14	18400	WHEEL	2
15	30226	PIN, CLEVIS	2
16	00696	WASHER	4
17	17130	NUT, ACORN	2
18	17400	SPACER	2
19	11053	WHEEL	2
20	07132	WASHER	2
21	18136	CHANNEL, OUTER	1
22	18709	SQUEEGEE BLADE SET	1
23	18663	SQUEEGEE BLADE RETAINER	1
24	18680	SCREW	2
26	18681	SCREW	2
27	03320	SCREW	1
29	03914	WASHER	1
30	18145	BEARING	1
31	18146	PIVOT	1
32	18141	WELDMENT, TOWING ARM	1
33	18119	KNOB	3
35	01577	WASHER, LOCK	4
36	18111	SCREW	4
37	18142	SHAFT, PIVOT	1
38	16254	PIN, COTTER	1
39	16347	BEARING	2
40	18114	WELDMENT, PIVOT FRAME	1
41	18144	WELDMENT, PIVOT FRAME	1
42	18568	SPRING	1
43	18138	SPRING ADJUSTER	1
44	18176	PIN	1
45	18206	WELDMENT, WHEEL SUPPORT	1
46	18650	BRACKET, CONTROL CABLE	1
47	10721	GRIP	1
48	18253	SCREW	3
49	18548	BRACKET	1
50	14142	WASHER	7
51	01574	WASHER	1
52	01497	NUT	1
53	18695	BOLT	1
54	15560	NUT	2
55	18323	SCREW, PAN HEAD	2
56	18818	SWITCH	1
57	14142	WASHER	4
58	19796	PLATE, CONTROL CABLE CLASP	1
59	00851	WASHER	2
NOT SHOWN	16586	WASHER	1



99125B - Series N Traction Drive Assembly
 Model :99125B 20" EZ Floorkeeper (w/ 4-6 V Batteries) - Series N

	Number	Description	Qty Req.
1	19283	WELDMENT, CHASSIS FRAME	1
2	18079	CASTER	2
3	14142	WASHER	12
4	01577	WASHER, LOCK	12
5	18111	SCREW, HEX	8
7	03536	WASHER, LOCK	2
8	18104	SCREW, HEX	2
9	03321	WASHER	2
10	18509	WHEEL	2
11	19258	TRANSAXLE	1
14	18115	KEY	2
15	16031	SCREW, HEX	4
16	01574	WASHER, LOCK	4
17	05427	SCREW	2
18	19294	RETAINER	2
20	10892	NUT, LOCK	4
21	18309	SCREW	5
22	18717	CABLE CLAMP	6
23	03960	WASHER	2
NOT SHOWN	24422	BRUSH, CARBON	2
NOT SHOWN	24423	CAP, BRUSH	2
NOT SHOWN	00086	SCREW	4
NOT SHOWN	03736	WASHER	4
NOT SHOWN	02568	WASHER	1
NOT SHOWN	01589	NUT, HEX	2



99125B - Series N Wiring Harness

Model :99125B 20" EZ Floorkeeper (w/ 4-6 V Batteries) - Series N

	Number	Description	Qty Req.
1	19273	ASSEMBLY, BATTERY CHARGER CONNECTOR	1
2	19405	TERMINAL-QD, MALE	4
3	19406	TERMINAL-QD, MALE	2
4	30725	CABLE BATTERY JUMPER	1
5	30808	CABLE BATTERY	1
6	33908	WIRING HARNESS	1
7	33906	WIRING HARNESS	1
8	33907	WIRING HARNESS	1
9	31008	CABLE ASSEMBLY	1
10	31251	ASSEMBLY STATIC GROUND	1
11	31257	WIRE, ASSEMBLY STATIC GROUND	1

