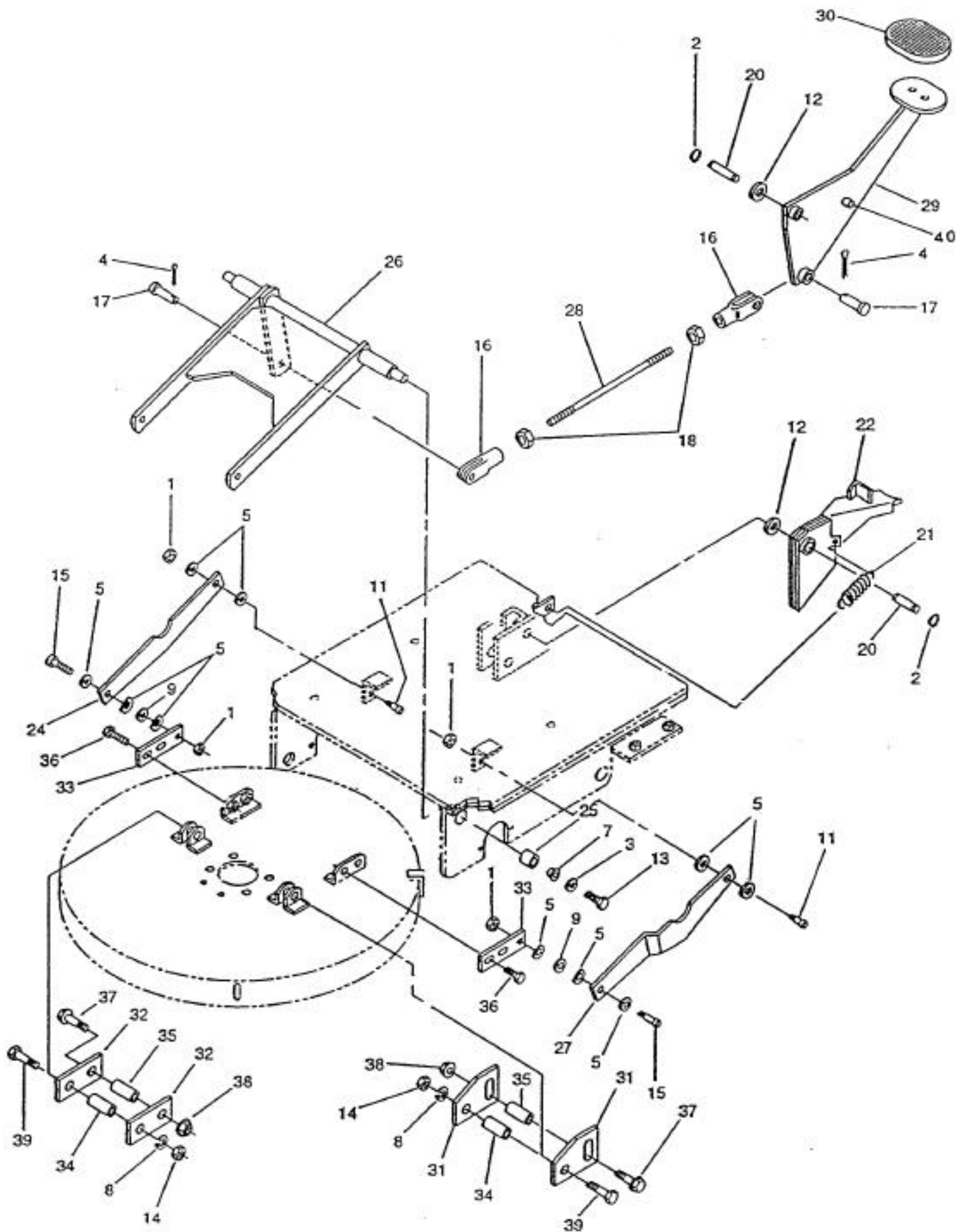


99105A Series - F Brush Lift Assembly

Model :99105A 20" EZ BD Floorkeeper (w/ 2-12 V Batteries) - Series F

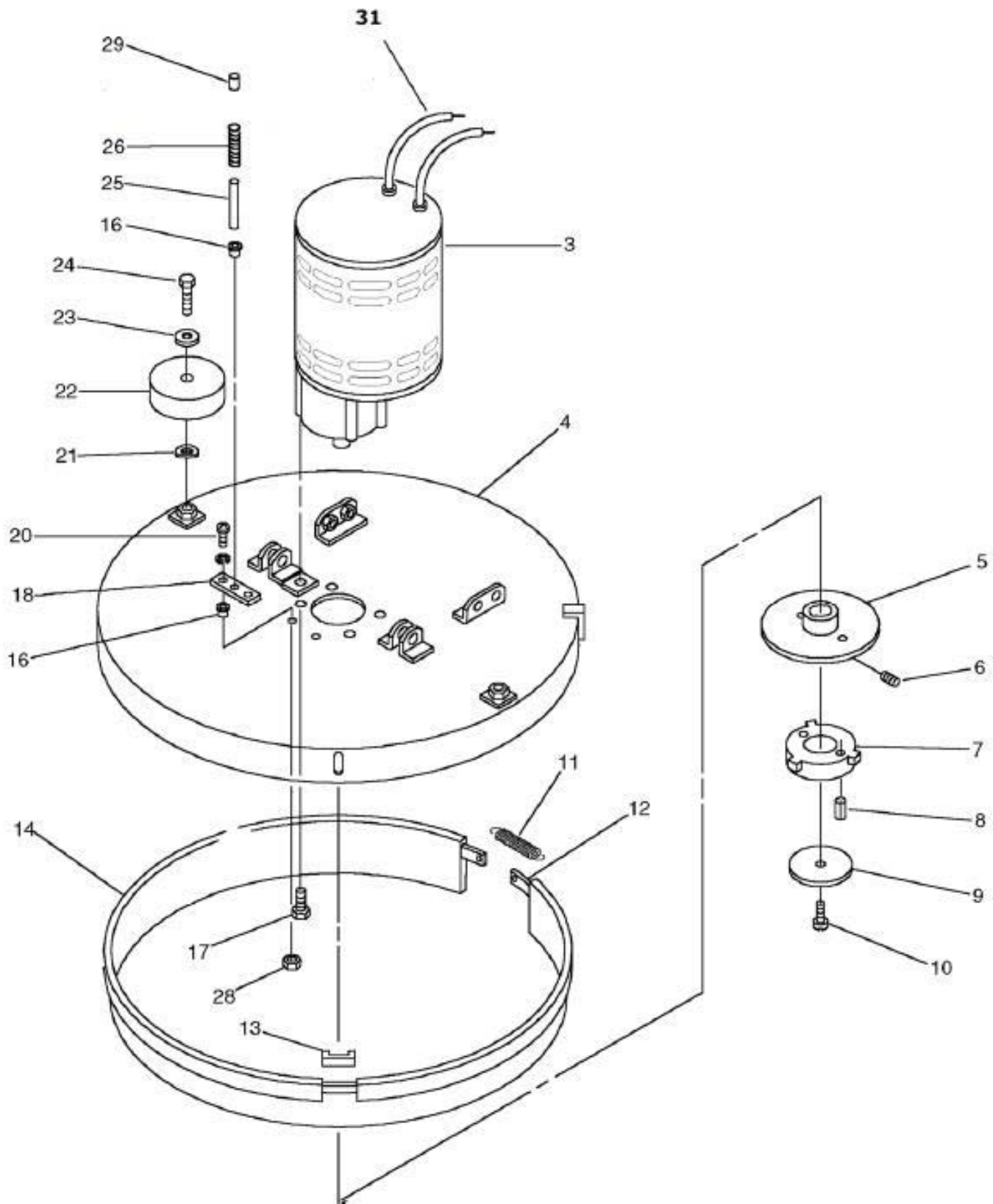
	Number	Description	Qty Req.
1	01589	NUT, LOCK W/ LOCTITE	4
2	03470	RING, RETAINING	4
3	03321	WASHER, PLAIN	2
4	03395	PIN, COTTER	2
5	03736	WASHER, PLAIN	11
7	03955	BUSHING	2
8	06387	WASHER, LOCK	2
9	07132	WASHER, SPRING	2
11	15677	SCREW	2
12	19616	WASHER, PLAIN	4
13	16671	SCREW	2
14	16673	NUT, HEX	2
15	15677	SCREW	2
16	18081	CLEVIS	2
17	18083	PIN, CLEVIS	2
18	18093	NUT,HEX	2
20	18122	PIN	2
21	18952	SPRING, EXTENSION	1
22	18758	BRUSH RELEASE	1
24	18166	ARM	1
25	18179	BEARING, SPACER	2
26	18184	WELDMENT, BRUSH LIFT	1
27	18185	ARM	1
28	18191	ROD	1
29	19076	BRUSH LIFT	1
30	19006	PAD, MOTOR LIFT PEDAL	1
31	18835	PLATE, BRUSH LIFT	2
32	18836	PLATE, BRUSH LIFT	2
33	18837	PLATE, BRUSH	2
34	18843	SPACER	2
35	18844	SPACER	2
36	18872	SCREW, HEX	4
37	18873	SCREW, HEX	2
38	18874	NUT, LOCK	2
39	18875	SCREW	2
40	19078	PIN, SPRING	1



99105A Series - F Brush Motor Cover

Model :99105A 20" EZ BD Floorkeeper (w/ 2-12 V Batteries) - Series F

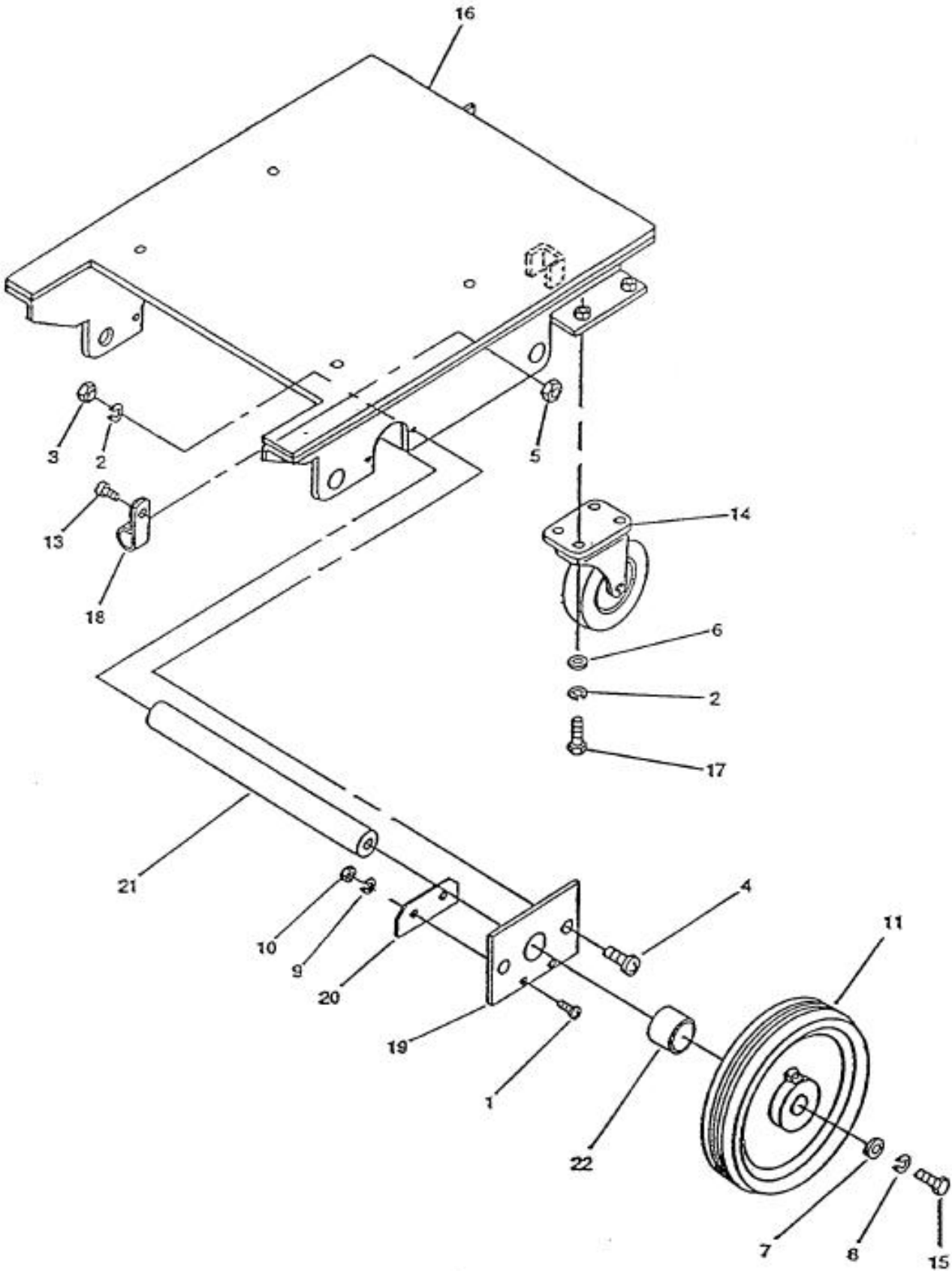
	Number	Description	Qty Req.
3	18076	BRUSH MOTOR	1
4	18148	BRUSH COVER	1
5	18388	BACKING, PLATE CLUTCH	1
6	14241	SCREW	1
7	18389	PLATE, BRUSH RETAINER	1
8	18390	PIN, GROOVED	2
9	18640	PLATE, BRUSH CLUTH RETAINING	1
10	18391	SCREW	1
11	16472	SPRING	1
12	18159	STRAP, BUMPER	1
13	17733	KEEPER	2
14	18161	BUMPER, BRUSH COVER	1
16	16347	BEARING	2
17	16671	SCREW	4
18	18558	PLATE, BEARING RETAINING	1
20	00600	SCREW	2
21	07132	WASHER, SPRING	2
22	30044	WHEEL, BUMPER	2
23	03736	WASHER, PLAIN	6
24	18130	SCREW	2
25	18165	PIN	1
26	06838	SPRING	1
28	02956	NUT, HEX LOCK	2
29	18593	CAP SCREW	1
NOT SHOWN	99262	PAD HOLDER	1
31	16879	LABEL	1



99105A Series - F Chassis Assembly

Model :99105A 20" EZ BD Floorkeeper (w/ 2-12 V Batteries) - Series F

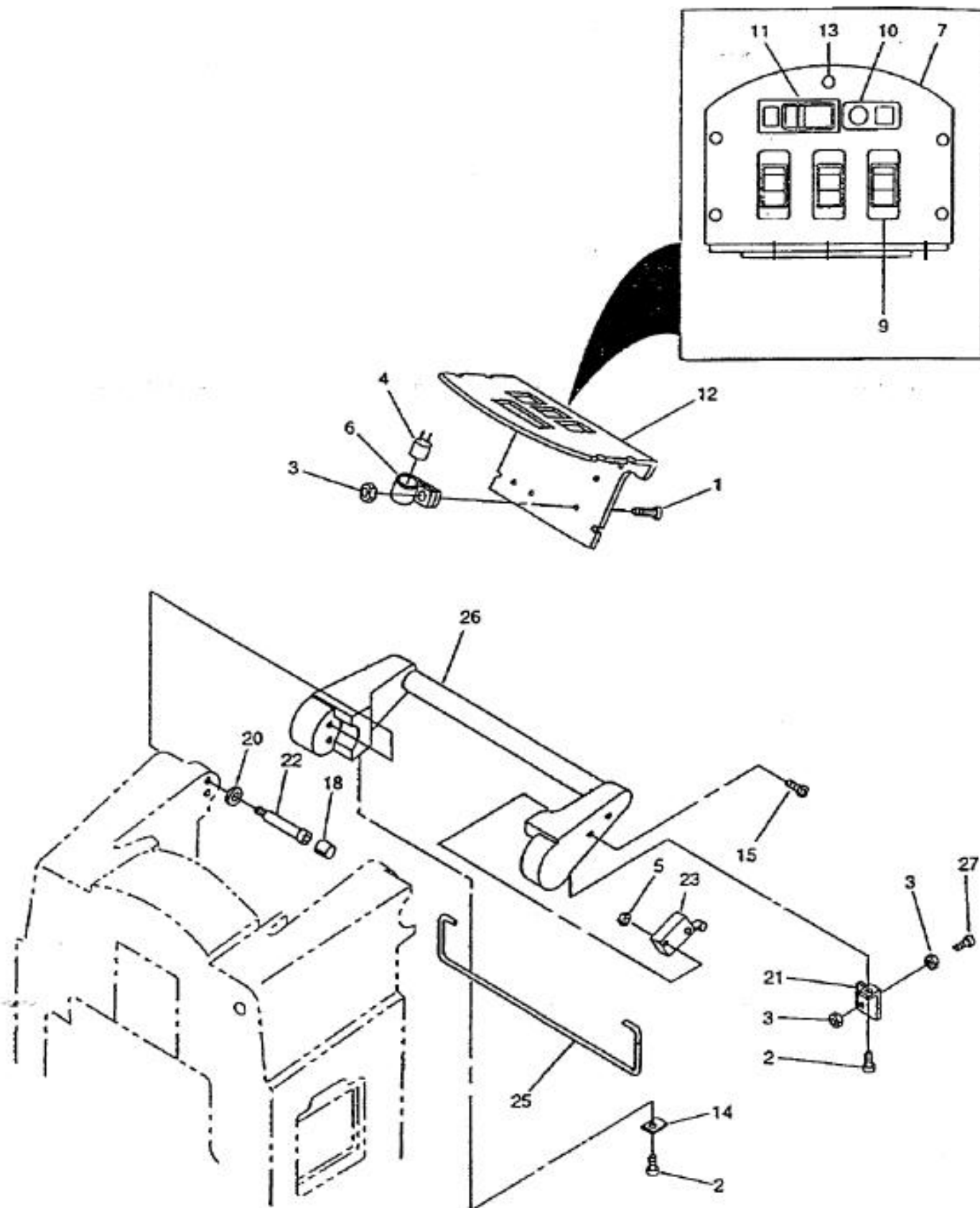
	Number	Description	Qty Req.
1	00086	SCREW	4
2	01577	WASHER, LOCK	12
3	01589	NUT, LOCK	7
4	02109	SCREW	4
5	10892	NUT, LOCK	3
7	14142	WASHER, PLAIN	12
8	03321	WASHER, PLAIN	4
9	03536	WASHER, LOCK	2
10	01574	WASHER, LOCK	6
11	15274	WHEEL	2
13	18309	SCREW	3
14	18079	CASTER ,SWIVEL	2
15	18104	SCREW	2
16	19408	FRAME, CHASSIS	1
17	18111	SCREW	8
18	18717	CLAMP, CABLE	6
19	18827	ADAPTER, PLATE AXLE	2
20	18828	PLATE AXLE, LOCKING	2
21	18829	AXLE, WHEEL	1
22	18834	SPACER	2
NOT SHOWN	03736	WASHER, PLAIN	4
NOT SHOWN	05427	SCREW	2



99105A Series - F Control Instrument System

Model :99105A 20" EZ BD Floorkeeper (w/ 2-12 V Batteries) - Series F

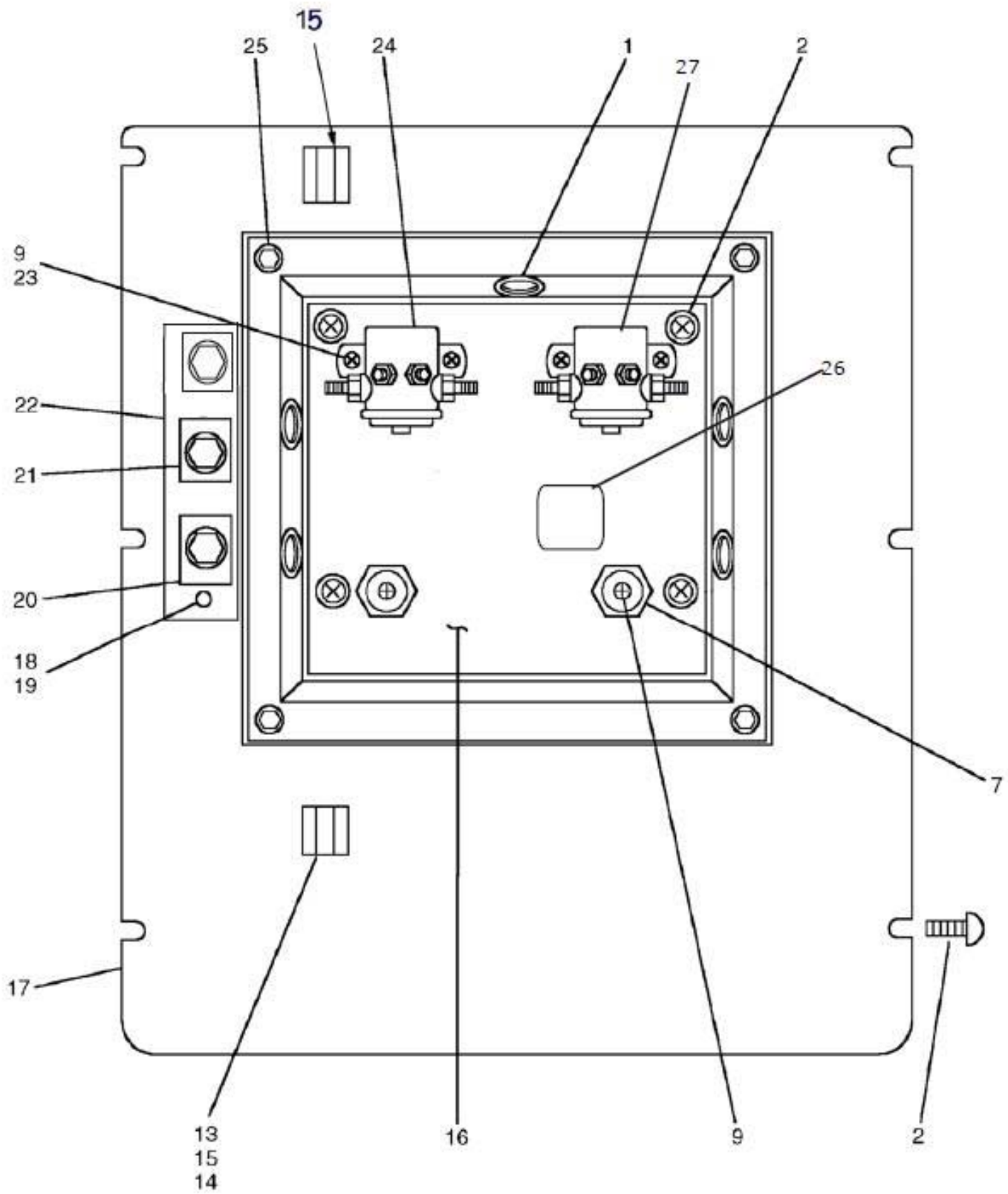
	Number	Description	Qty Req.
1	16075	SCREW	2
2	02071	SCREW	2
3	02956	NUT, HEX LOCK	3
4	14827	FLASHER RELAY	1
5	15560	NUT, HEX LOCK	2
6	15913	CLAMP	1
7	33894	CONTROL PANEL	1
9	33895	SWITCH	3
10	18218	INDICATOR LIGHT (RED)	1
11	18221	GAUGE	1
12	31028	PANEL	1
13	18253	SCREW	9
14	18266	PLATE	1
15	18323	SCREW	2
18	18593	CAP SCREW	1
20	14142	WASHER	4
21	18675	BRACKET	1
22	08079	SCREW SOCKET	4
23	15542	SWITCH	1
25	18895	WELDMENT, BRUSH ACTUATION	1
26	18896	HANDLE CONTROL	1
27	18897	SCREW	1



99105A Series - F Rare Access Panel with Relays

Model :99105A 20" EZ BD Floorkeeper (w/ 2-12 V Batteries) - Series F

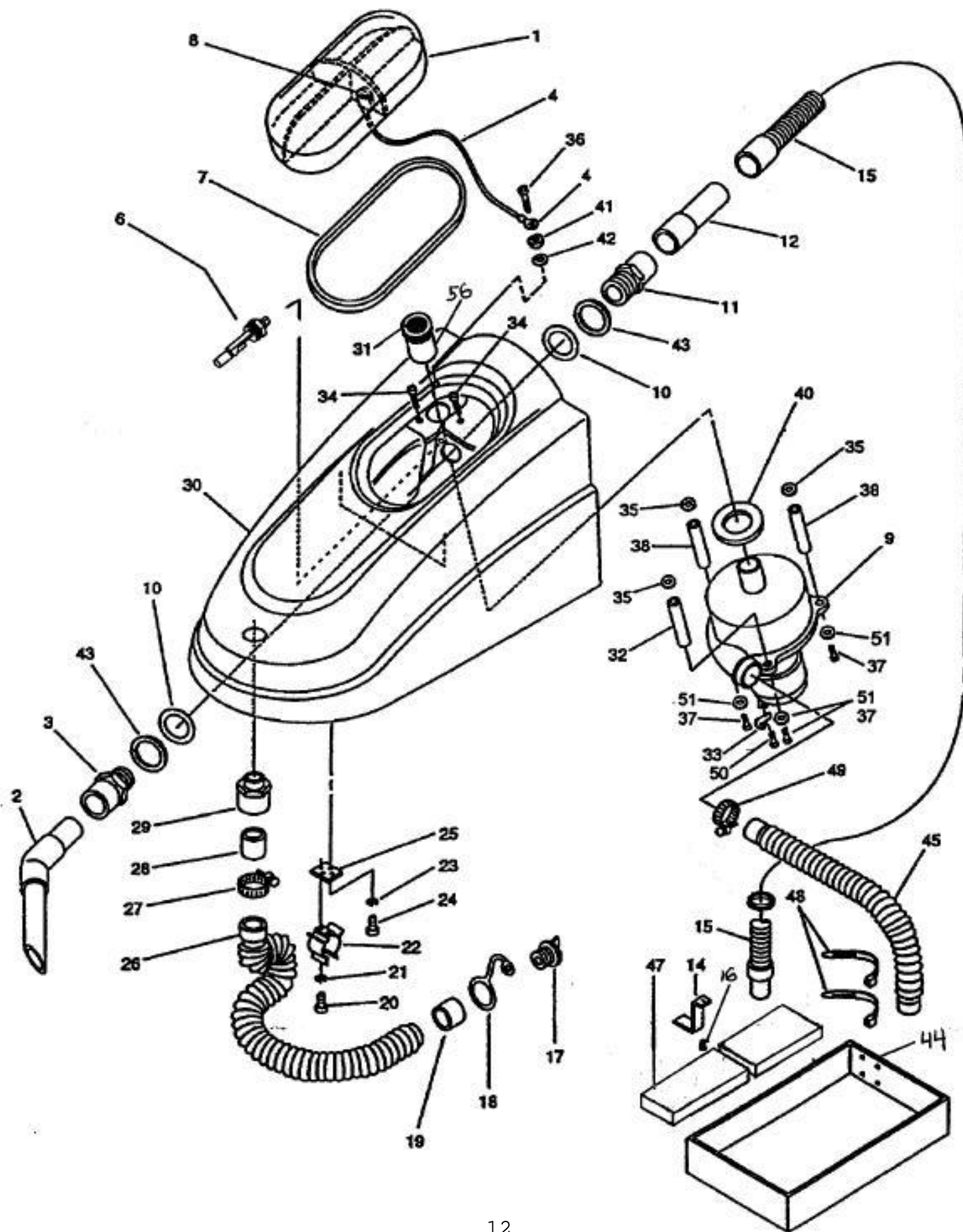
	Number	Description	Qty Req.
1	15330	GROMMET	4
2	06192	SCREW	8
5	05427	SCREW	1
7	15345	BUSHING, INSULATOR	2
9	04442	SCREW	10
13	00128	SCREW	4
14	02956	NUT, HEX LOCK	4
15	18468	CLIP	2
16	18255	RELAY MOUNTING PLATE	1
17	31028	PANEL	1
18	03660	SCREW	2
19	10894	NUT, HEX LOCK	4
20	18219	CIRCUIT BREAKER 25A	2
21	18220	CIRCUIT BREAKER 45A	1
22	18355	PLATE	1
23	15545	NUT RETAINER	4
24	33910	RELAY 24V 25A	1
25	19329	PIN-RETAINING ACCESS PANEL	4
26	33917	RELAY	1
27	33909	RELAY 24V 50A	1
NOT SHOWN	18308	COVER, PANEL	1
NOT SHOWN	30830	SPEED CONTROLLER	1
NOT SHOWN	02958	NUT, HEX LOCK	3
NOT SHOWN	16674	GROMMET	0.5 FT



99105A Series - F Recovery Tank with Vac Motor

Model :99105A 20" EZ BD Floorkeeper (w/ 2-12 V Batteries) - Series F

	Number	Description	Qty Req.
1	18741	ACCESS COVER, RECOVERY TANK	1
2	18799	DEFLECTOR, INTAKE	1
3	15088	FITTING, ADAPTER	1
4	18789	CABLE ASSEMBLY	2
6	19708	SWITCH, FLOAT	1
7	18742	GASKET	2
8	18790	CABLE, CLASP	1
9	31129	BYPASS, VACUUM MOTOR	1
10	05781	GASKET	2
11	15096	FITTING, FEMALE ADAPTER	1
12	18259	SLEEVE, HOSE	1
14	18241	BRACKET, HOSE	1
15	18747	HOSE, STEEL SUPPORTED	2
16	18253	SCREW, PAN HEAD	2
17	18226	PLUG	1
18	18358	STRAP, HOSE PLUG RETAINER	1
19	18357	SLEEVE, RECOVERY DRAIN	1
20	01734	SCREW	6
21	01246	WASHER, LOCK	6
22	18671	CLIP, DRAIN HOSE	3
23	01905	WASHER, LOCK	6
24	01993	SCREW	6
25	18439	PLATE, DRAIN HOSE	3
26	19286	HOSE	1
27	16091	CLAMP, HOSE	1
28	18401	SLEEVE	1
29	18052	FITTING, MALE ADAPTER	1
30	31990	TANK, RECOVERY	1
31	19398	INTAKE FILTER, ASSEMBLY	1
32	18846	SPACER	1
33	17392	CLAMP, CABLE	1
34	18342	SCREW	2
35	14142	WASHER, PLAIN	3
36	17177	SCREW	1
37	18333	SCREW	3
38	18349	SPACER	2
40	18847	GASKET	1
41	17508	NUT, HEX	1
42	18885	WASHER, PLAIN	1
43	18886	WASHER, PLAIN	2
44	18688	BATTERY, TRAY	1
45	18687	HOSE, STEEL	1
47	32344	WOOD, BLOCK	2
48	18706	WIRE, TIE	2
49	14858	CLAMP, HOSE	1
50	04651	SCREW	1
51	00851	WASHER, PLAIN	3
52	98799	BATTERY	2
53	99506	BATTERY	4
54	99510	CHARGER, BATTERY	1
55	30725	CABLE, BATTERY	2
56	18861	STAND PIPE	1



99105A Series - F Solution Tank

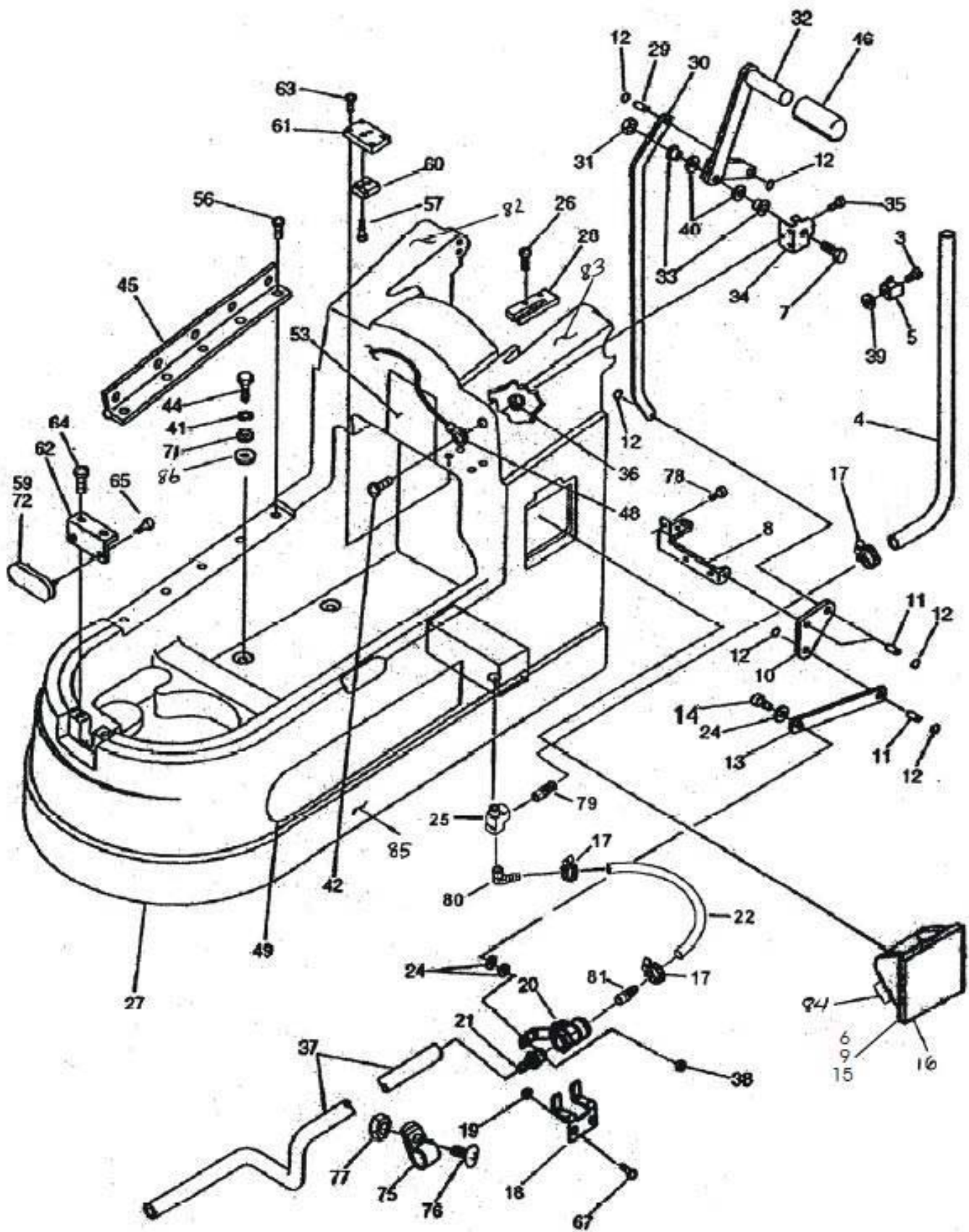
Model :99105A 20" EZ BD Floorkeeper (w/ 2-12 V Batteries) - Series F

	Number	Description	Qty Req.
3	00128	SCREW	3
4	32231	DRAIN HOSE, BOTTOM TANK	1
5	18468	CLIP	2
6	03124	RIVET, BLIND	3
7	03320	SCREW	1
8	18652	BRACKET, SOLUTION CONTROL	1
9	11219	WASHER, PLAIN	2
10	18328	PLATE, SOLUTION CONTROL	1
11	18261	PIN,SOLUTION CONTROL	3
12	18316	RING RETAINING	8
13	18329	BAR, LOWER LINK	1
14	15677	SCREW, SHOULDER	1
15	12671	WEIGHT	1
16	18209	COVER	1
17	07626	CLAMP, HOSE	3
18	18684	BRACKET SOL. VALVE	1
19	07533	NUT, HEX	2
20	31253	BALL, VALVE	1
21	18485	FITTING PLASTIC CPLR	1
22	31646	HOSE	1
24	03736	WASHER, PLAIN	2
25	31648	RUN TEE, FITTING	1
26	18253	SCREW	2
27	18455	TANK, SOLUTION (W/OPENING)	1
28	18466	LEVER	1
29	18262	PIN, SOLUTION CONTROL	1
30	18330	BAR, UPPER SOLUTION CONTROL	1
31	03868	NUT, HEX LOCK	1
32	18319	WELDMENT, SOLUTION CONTROL	1
33	16347	BEARING, FLANGE	2
34	18249	BRACKET, HANDLE PIVOT	1
35	16136	SCREW	3
36	10894	NUT, LOCK	2
37	18431	TUBE, SOLUTION	1
38	01589	NUT, HEX W/ LOCTITE	1
39	01246	WASHER, LOCK	1
40	19616	WASHER, PLAIN	2
41	01577	WASHER, LOCK	4
42	18339	SCREW	2
44	16031	SCREW, HEX	4
45	18229	HINGE	1
46	10721	GRIP, ROUND	1
47	18308	PANEL RELAY	1
48	18359	CABLE, ASSEMBLY	1
49	30816	DECAL	1
53	18377	DECAL, BATTERY CHARGING	1
54	18381	DECAL, CIRCUIT BREAKER	1
55	15734	GAGE	1
56	06192	SCREW	10
57	14544	SCREW	2
58	30812	DECAL, SWIRL	1
59	17376	NUT, HEX LOCK	2
60	18237	60	1
61	18239	CONNECTOR, PLATE	1
62	18240	WARNING LIGHT	1
63	18253	SCREW	4
64	18309	SCREW	2
65	18336	SCREW	2
67	05427	SCREW	2
71	03321	WASHER, PLAIN	4
72	18859	WARNING LIGHT	1
75	18717	CABLE, CLAMP	2

99105A Series - F Solution Tank

Model :99105A 20" EZ BD Floorkeeper (w/ 2-12 V Batteries) - Series F

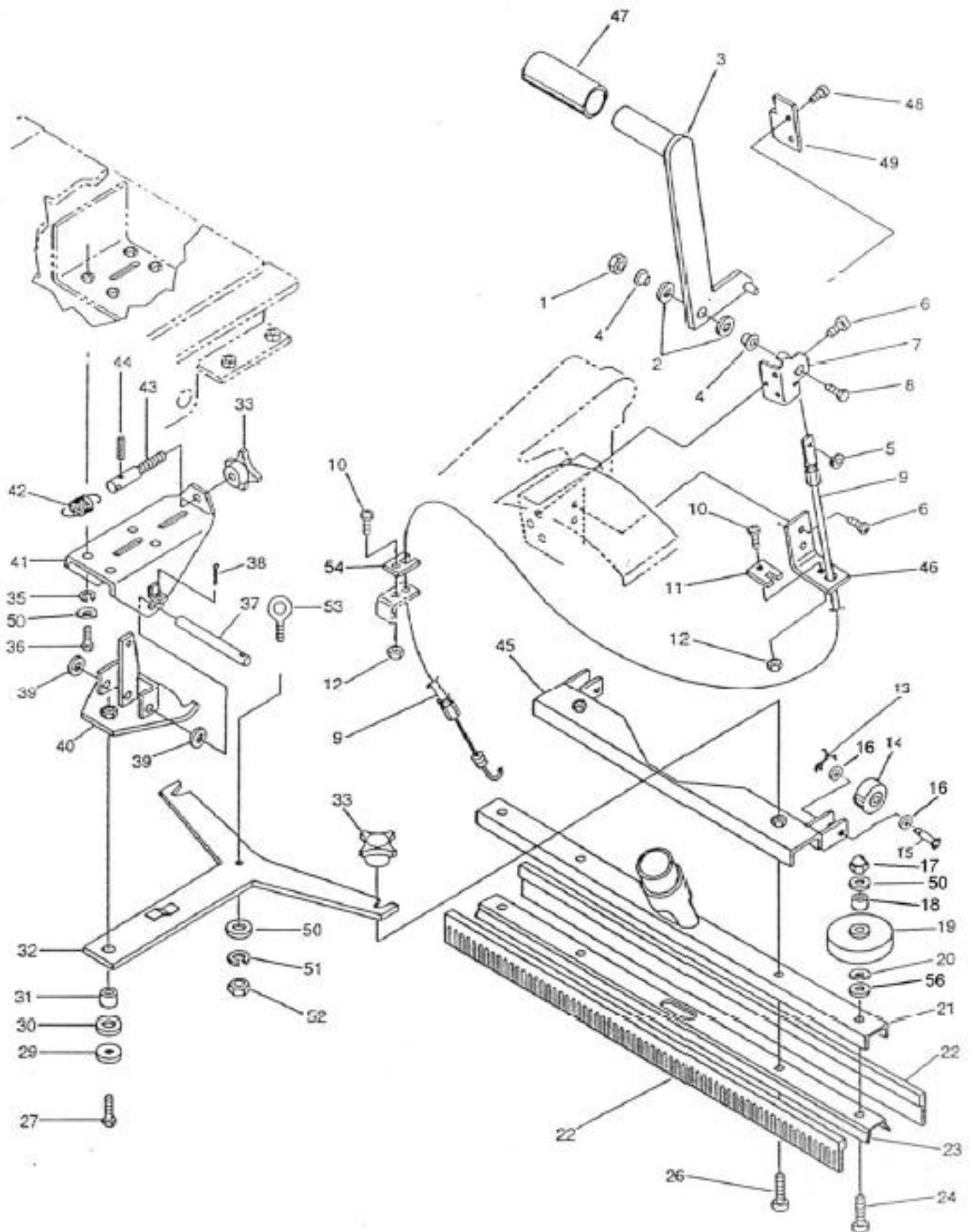
	Number	Description	Qty Req.
76	18309	SCREW	2
77	10892	NUT, HEX LOCK	3
78	19945	SCREW, TRUSS HEAD	1
79	31649	ADAPTER, FITTING	1
80	31647	ELBOW, FITTING	1
81	31645	ADAPTER, FITTING	1
82	18376	DECAL, SQUEEGEE CONTROL	1
83	18364	DECAL, SOLUTION CONTROL	1
84	18338	PLATE, SOLUTION COVER	1
85	16094	DECAL, RECOVERY DRAIN	1
86	18644	WASHER, PLAIN	4



99105A Series - F Squeegee Assembly

Model :99105A 20" EZ BD Floorkeeper (w/ 2-12 V Batteries) - Series F

	Number	Description	Qty Req.
1	03868	NUT, HEX	1
2	19616	WASHER, PLAIN	2
3	18314	HANDLE, SQUEEGEE CONTROL	1
4	16347	BEARING	2
5	18655	NUT	1
6	16136	SCREW	5
7	18249	BRACKET, HANDLE PIVOT	1
8	03320	SCREW	1
9	19910	CABE ASSEMBLY	2
10	03660	SCREW	2
11	18651	PLATE, CONTROL CABLE CLASP	1
12	10894	NUT	2
13	30227	PIN, COTTER	2
14	18400	WHEEL	2
15	30226	PIN, CLEVIS	2
16	00696	WASHER, PLAIN	4
17	17130	NUT, ACORN	2
18	17400	SPACER	2
19	11053	WHEEL	2
20	07132	WASHER, SPRING	2
21	18136	CHANNEL, OUT - 20"	1
22	18709	SQUEEGEE BLADE SET - 20"	1
23	18663	SQUEEGEE BLADE RETAINER	1
24	18680	SCREW, FLAT HEAD	2
26	18681	SCREW, FLAT HEAD	2
27	03320	SCREW	1
29	03914	WASHER, PLAIN	1
30	18145	BEARING	1
31	18146	PIVOT	1
32	18141	WELDMENT, TOWING ARM	1
33	18119	KNOB	3
35	01577	WASHER, LOCK	4
36	18142	SHAFT, PIVOT	4
37	18142	SHAFT PIVOT	1
38	16254	PIN, COTTER	1
39	16347	BEARING	2
40	18114	WELDMENT, PIVOT FRAME	1
41	18144	WELDMENT, PIVOT FRAME	1
42	18568	SPRING EXTENSION	1
43	18138	SPRING ADJUSTER	1
44	18176	PIN SPRING	1
45	18206	WELDMENT, SQUEEGEE WHEEL	1
46	18650	BRACKET, CONTROL CABLE	1
47	10721	GRIP	1
48	18253	SCREW	3
49	18548	BRACKET, LEVER	1
50	14142	WASHER	7
51	01574	WASHER, LOCK	1
52	01497	NUT	1
53	18695	BOLT	1
54	19796	PLATE, CONTROL CABLE	1
56	00851	WASHER	2
NOT SHOWN	16586	WASHER	1



99105A Series - F Wiring Harnesses

Model :99105A 20" EZ BD Floorkeeper (w/ 2-12 V Batteries) - Series F

	Number	Description	Qty Req.
1	33906	WIRING HARNESS - INSTRUMENT PANEL	1
2	18908	WIRING HARNESS - SAFETY SWITCH	1
3	33915	WIRING HARNESS	1
4	33916	WIRING HARNESS MAIN	1
5	30725	CABLE BATTERY JUMPER	1
6	30808	CABLE BATTERY	1

