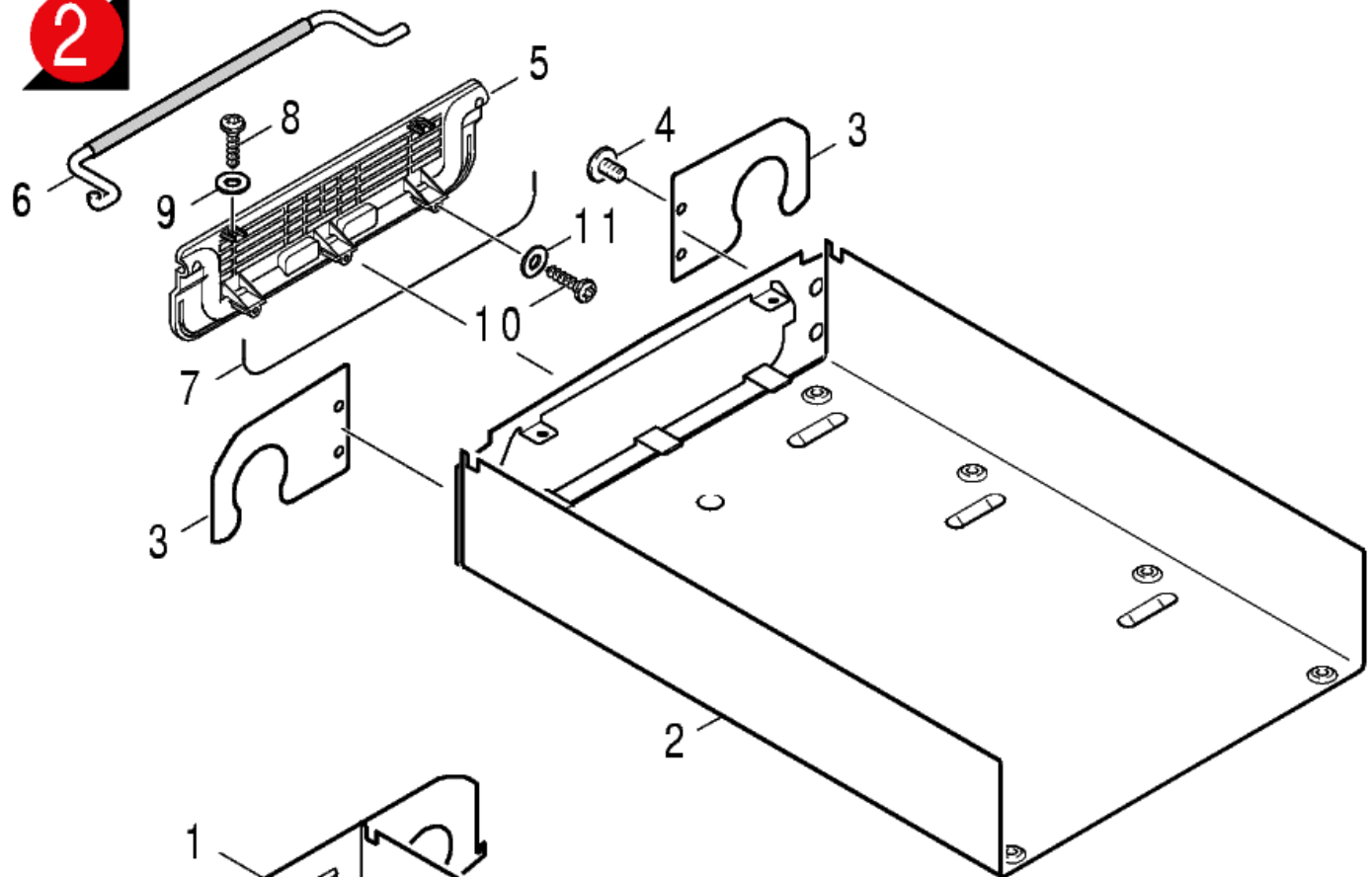


**Chassis**

Model :97605 16" BR VS 400 BR Vario Cylindrical Brush

	<b>Number</b>	<b>Description</b>	<b>Qty Req.</b>
1	K40330170	BOTTOM PLATE	1
2	K40330160	METAL SHEET	1
	K40330180	METAL SHEET	1
3	K50062170	BEARING PLATE	2
4	K63041420	OVAL HEAD SCREW M 5X	4
5	K53216240	TOKEN TRAY	1
	K53216590	HANDLE PART	1
6	K40341160	STRAP	1
7	K62730370	CELLULAR RUBBER CORD	1
8	K73030710	SCREW ST4 2X 9 5	2
9	K73120520	WASHER	2
10	K73031340	SCREW 4 X 8	3
11	K73122820	DISK	3

2



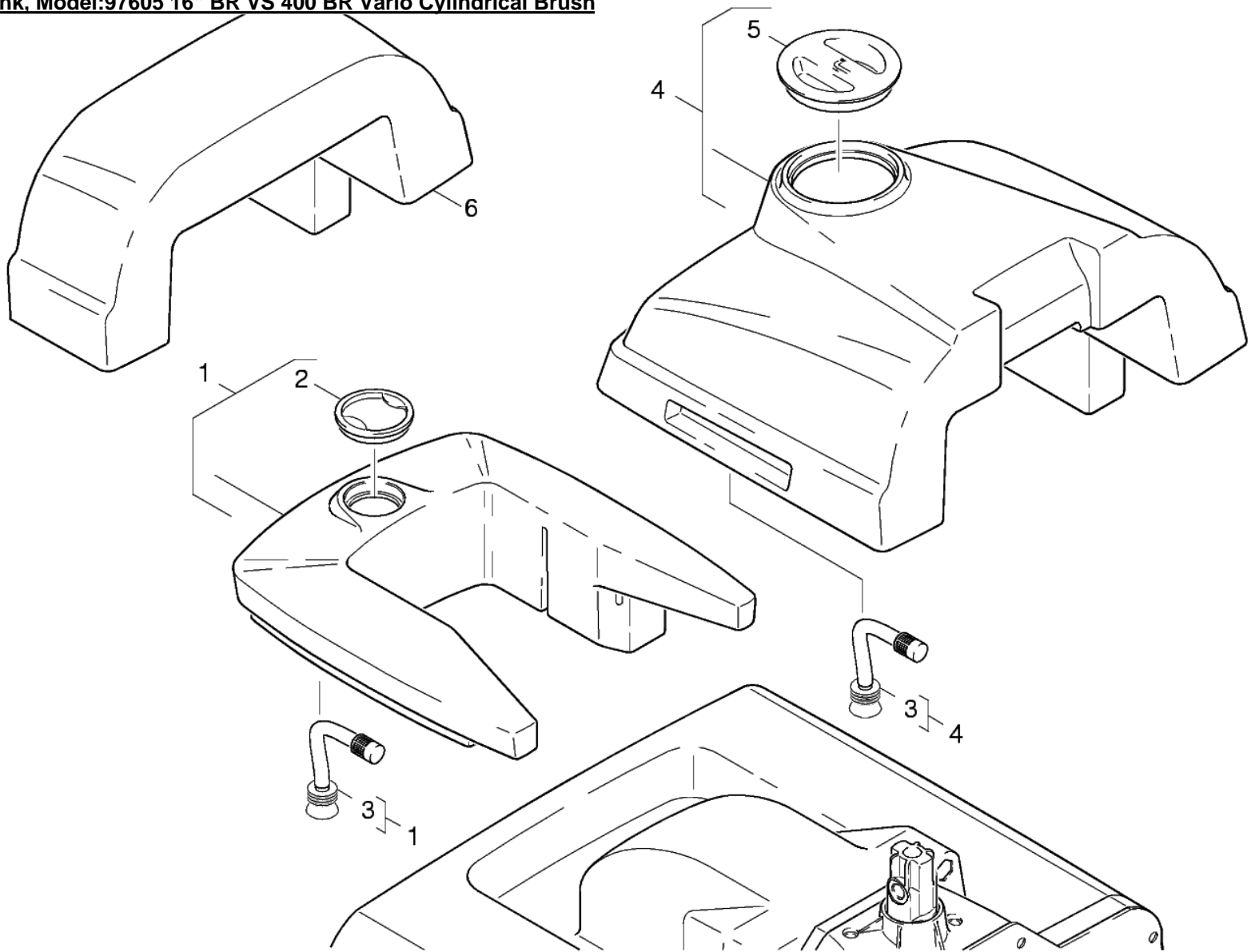
1

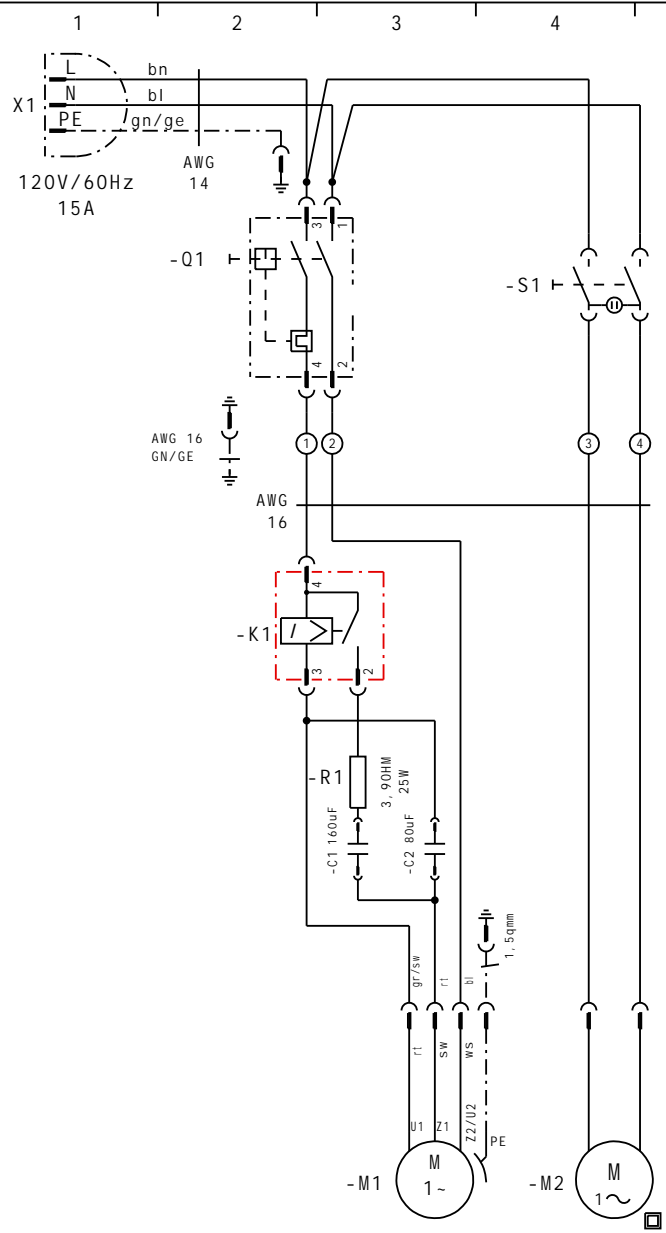
**Tank**

Model :97605 16" BR VS 400 BR Vario Cylindrical Brush

	<b>Number</b>	<b>Description</b>	<b>Qty Req.</b>
	K26391930	USE #K50317900SUPPLEMENTARY WEIGHT	1
	K26399330	TANK 10L	1
1	K26390800	TANK 3L	1
	K26399320	TANK 3L ANBA TZ	1
2	K63683100	DRAIN PLUG	1
3	K45803560	VALVE	1
4	K26390810	TANK 10L	1
5	K50636500	COVER	1
6	K50317900	TANK(WEIGHT)	1

**Tank, Model:97605 16" BR VS 400 BR Vario Cylindrical Brush**





D	GB	F
C1 ANLAUFKONDENSATOR (160uF) C2 BETRIEBSKONDENSATOR (80uF)	START-CAPACITOR (160uF) OPERATING-CAPACITOR (80uF)	CONDENSATEUR DE DEMARRAGE (160uF) CONDENSATEUR DE SERVICE (80uF)
K1 STARTRELAIS-ANLAUFKONDENSATOR	START-RELAYS	
M1 BÜRSTENMOTOR M3 WASSERPUMPE	BRUSH MOTOR WATERPUMP	MOTEUR DE BROUSSE POMPE A EAU
Q1 HAUPT-LEISTUNGSSCHALTER	MAIN POWER SWITCH	INTERUPTEUR PRINCIPAL
R1 WIDERSTAND	RESISTOR	RESISTANCE
S1 TASTER-WASSERPUMPE	PUSH-BUTTON WATERPUMP	INTERRUPTEUR POMPE A EAU
X1 NETZSTECKER	POWER PLUG	PRISE ELECTRIQUE

AWG 16 ~ 1,3qmm  
 AWG 14 ~ 2,1qmm  
 AWG 10 ~ 5,2qmm

03.02.04	GSR	GSR	CST-D	d	1	A2007328
DATUM	GEZ.	GEPR.	NORM	A-IND	ANZ.	AND./FR.

ANLAGE = USA
ORT +
AUFTRAG
ERS. F. 12.08.02 (d) ERS. D.



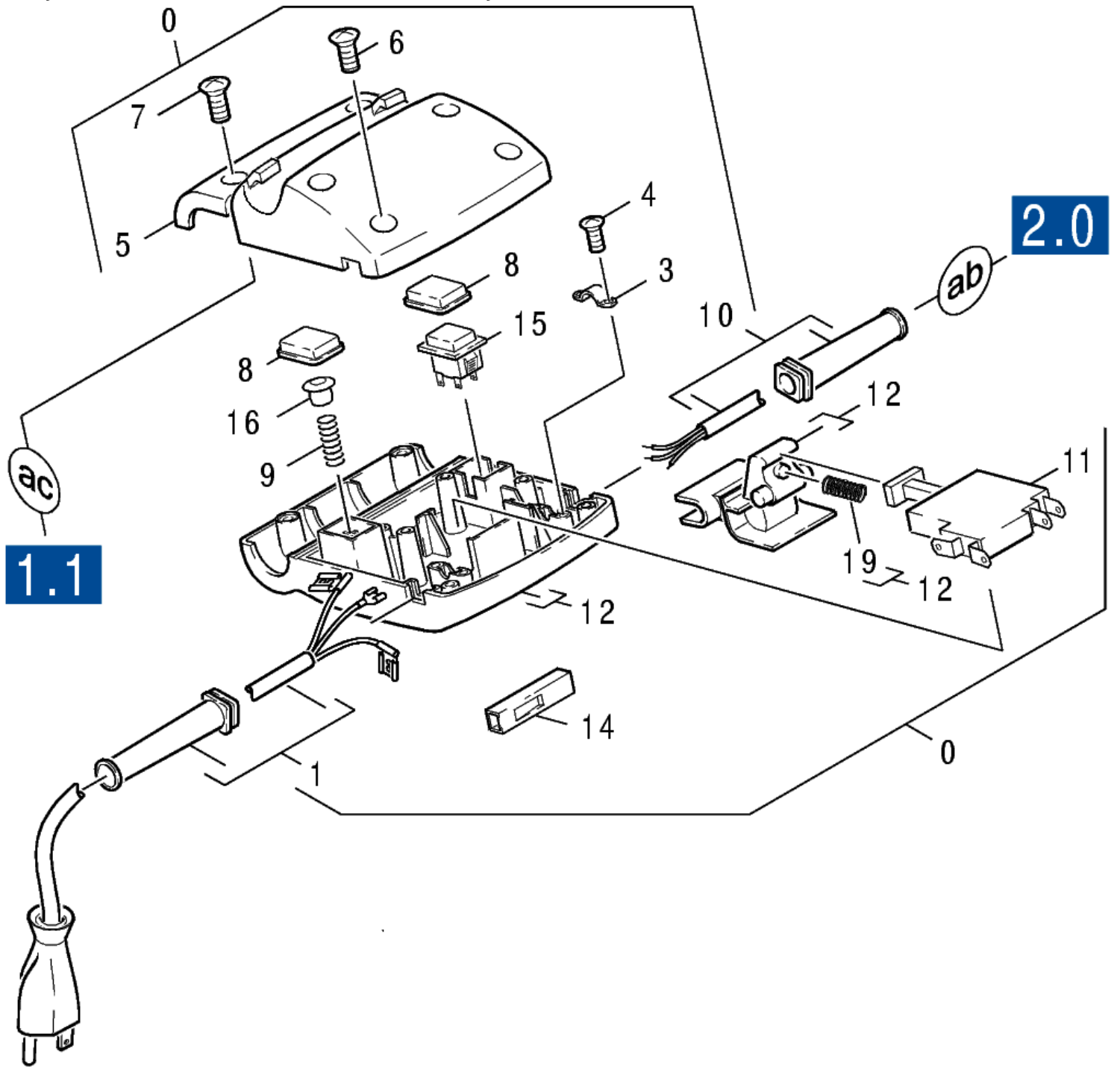
BENENNUNG STROMLAUFPLAN
ANLAG.-BEZ. BR VS 400

ZEICHNUNGS-NR.	
0.088-280	
BLATT 1	BLATTZ. 1

## Control System

Model :97605 16" BR VS 400 BR Vario Cylindrical Brush

	<b>Number</b>	<b>Description</b>	<b>Qty Req.</b>
0	K46050490	HOUSING ASSEMBLY W/CORD	1
	K46050630	HOUSING	1
1	K48221060	CABLE TREE W/CONNECTOR	1
3	K63733190	CABLE CLAMP	2
4	K73031020	SCREW 3 5X12	4
5	K50315070	HOUSING	1
6	K73033630	SHEET METAL SCREW	6
7	K73031090	USE #K63032000 SCREW 5X25-IN6RD	2
8	K66316180	CAP	2
9	K53324470	HELICAL SPRING	1
10	K66482100	CABLE ORDER K46050490 HOUSING	1
	K66483640	CABLE	1
11	K66301460	SWITCH (ON/OFF)	1
	K66302260	MAIN SWITCH	1
12	K40310120	HOUSING	1
14	K66482620	INSULATING HOUSING	2
15	K66317480	TASTER	1
16	K63683110	PLUG	1
19	K53324620	HELICAL SPRING BR VS 400	1

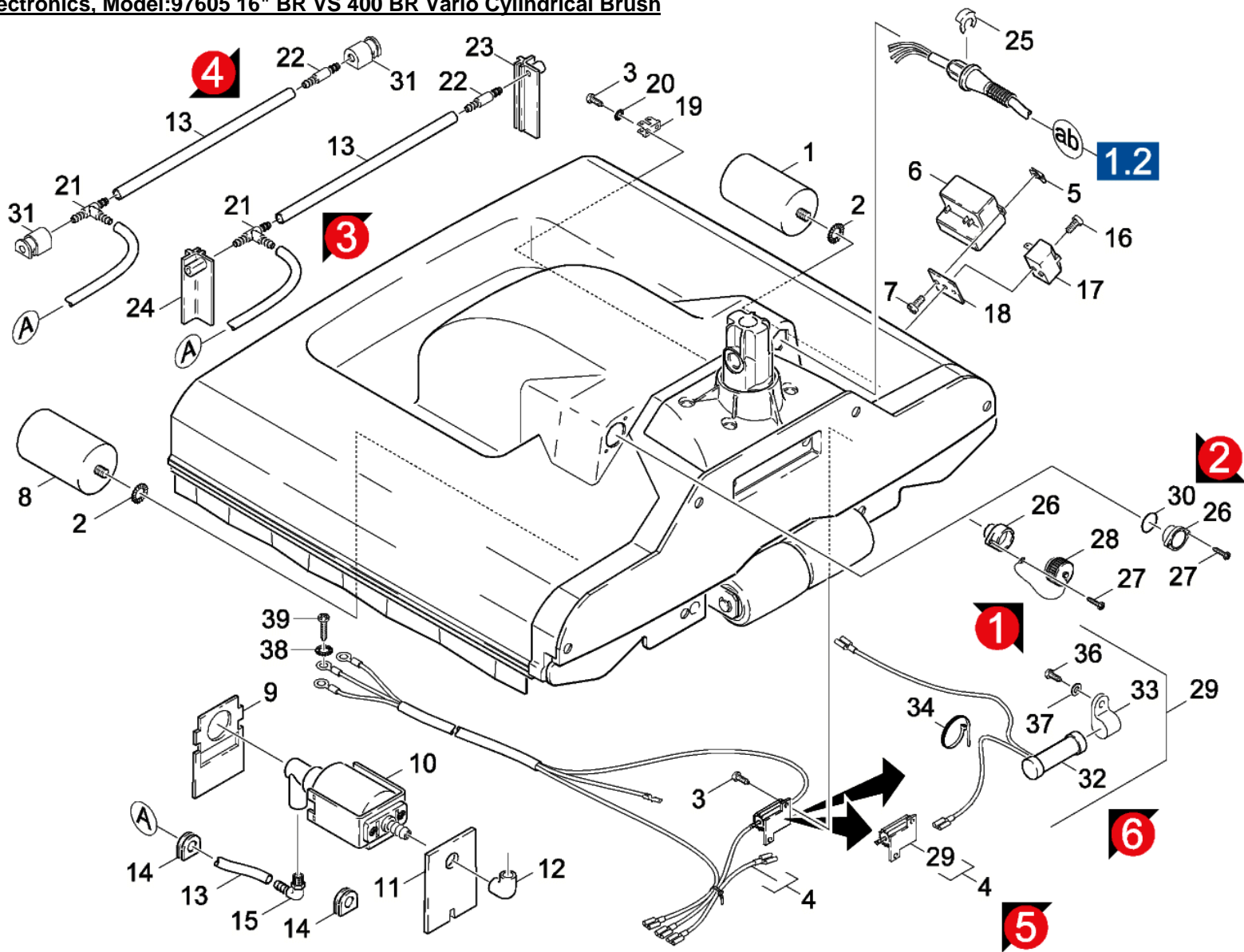


**Electronics**

Model :97605 16" BR VS 400 BR Vario Cylindrical Brush

	<b>Number</b>	<b>Description</b>	<b>Qty Req.</b>
1	K66612210	CAPACITOR	1
2	K73122330	SERRATED LOCKWASHER	2
3	K73030270	SCREW M 3 X 6	4
4	K48221070	CABLE TREE	1
4	K48221420	CABLE TREE	1
5	K63100440	NUT	1
6	K46120020	RELAY	1
7	K73030720	SHEET METAL SCREW ST4 2 X 13	1
8	K66612200	CAPACITOR	1
9	K50441490	BRACKET	1
10	K64734100	MOTOR-DRIVEN PUMP 120V 60 HZ	1
11	K50441480	BRACKET	1
12	K53790260	RUBBER BUSHING	1
13	K63882160	HOSE SOLD IN INCHES	1
14	K66480640	CABLE BUSHING	2
15	K63884210	ANGLE SOCKET 1/8 INCH	1
16	K73030650	SHEET METAL SCREW ST3,5X25-ST-A2R (IN6R)	1
17	K66437040	DISTRIBUTOR STRIP	1
18	K50442290	BRACKET	1
19	K66464050	CONNECTOR	1
20	K73122340	SERRATED LOCKWASHER	2
21	K63884090	T-RUBBER BUSHING	1
22	K63903220	HOSE NOZZLE	1
23	K53634280	SEAL	1
24	K53634270	SEAL-LEFT	1
25	K63431700	SECURING CLIP	1
26	K50639190	COVER	1
26	K66463540	SOCKET	1
	K66464310	SOCKET	1
27	K73030920	SCREW 3 X 12	2
28	K63682790	PROTECTIVE CAP	1
29	K26401630	CONVERSION KIT	1
30	K63625990	O-RING 20 35X 1 78	1
31	K53635460	SEAL	2
32	K66520350	RESISTOR (BR VS 400) INCLUDE INSTRUCT. L0017A	1
33	K63738010	CABLE CLAMP	1
34	K66414630	CABLE TIE	3
36	K73060530	USE #K73062030SCREW	1
37	K73122800	WASHER 3-200HV-P2E ISO7093-1	1
38	K73122310	SERRATED LOCK WASHER A5,3 -FST-	1
39	K73030380	SCREW M 5 X 12	1



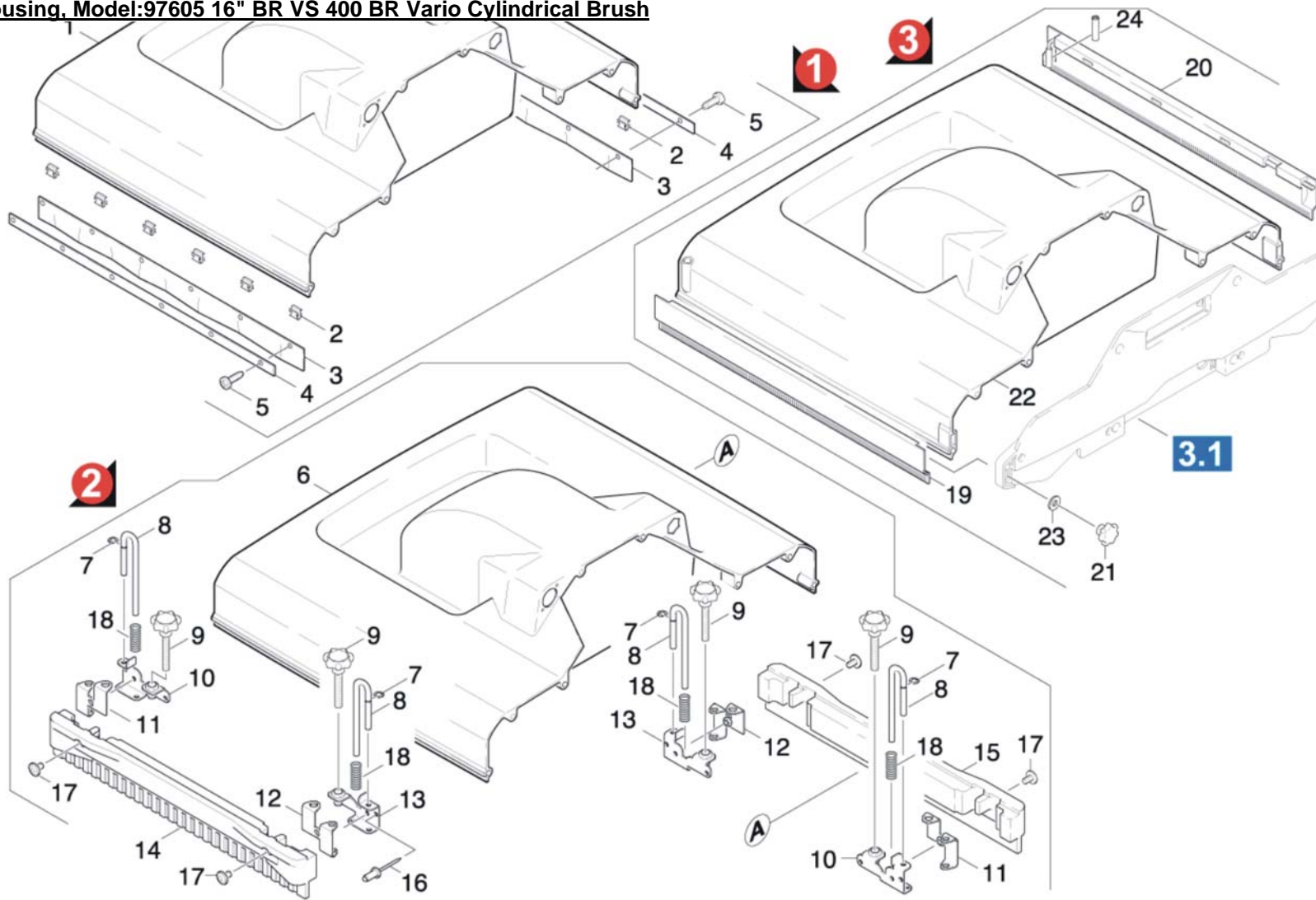


## Housing

Model :97605 16" BR VS 400 BR Vario Cylindrical Brush

	Number	Description	Qty Req.
1	K50606940	USE #K50608310HOUSING-BRUSH	1
2	K63100440	NUT	12
3	K53945190	SPLASH GUARD	2
4	K50061180	PLATE	2
5	K73031380	SCREW-SHEET METAL ST4,9X9,5	12
6	K50608310	COVER	1
	K50609040	BRUSH HOUSING	1
7	K73432000	LOCK WASHER 5	4
8	K50346300	STRAP	4
9	K63041430	ADJUSTING SCREW	4
10	K40440190	BRACKET	2
11	K52630690	GUIDE PLATE	2
12	K52630700	GUIDE PLATE	2
13	K40440200	BRACKET	2
14	K53945590	SPLASH GUARD-LEFT	1
15	K53945600	SPLASH GUARD-RIGHT	1
16	K63150230	RIVET-BLIND 4 0	12
17	K63041420	OVAL HEAD SCREW M 5X	4
18	K53320820	HELICAL SPRING	4
19	K43943130	SPLASH GUARD - LEFT	1
20	K43943140	SPLASH GUARD - RIGHT	1
21	K63211630	HANDLE	2
22	K50608890	BRUSH HOUSING COVER	1
23	K50330790	WASHER 5 5/13	2
24	K63894900	SILICON HOSE	1

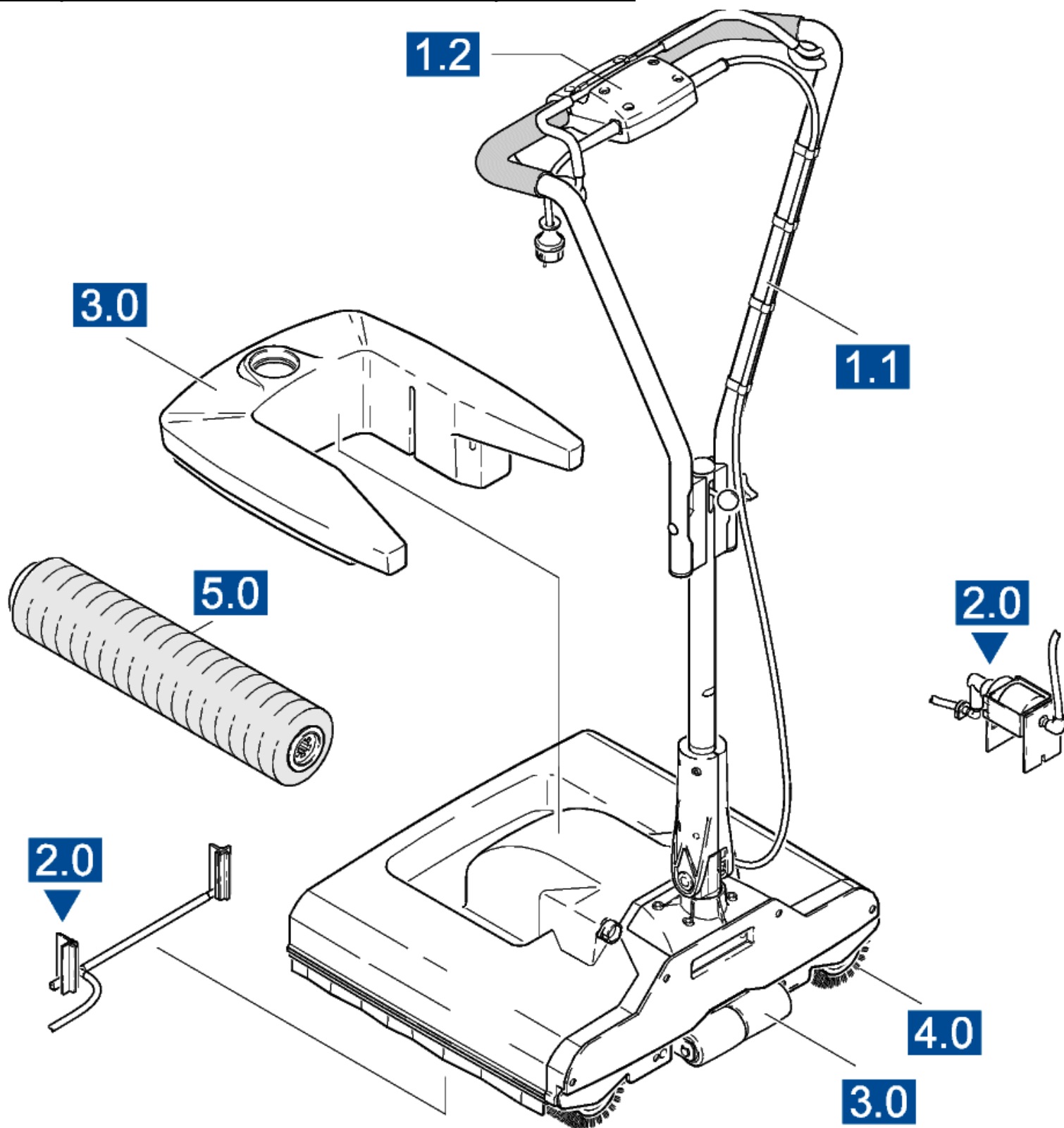
Housing, Model:97605 16" BR VS 400 BR Vario Cylindrical Brush



## Main Components

Model :97605 16" BR VS 400 BR Vario Cylindrical Brush

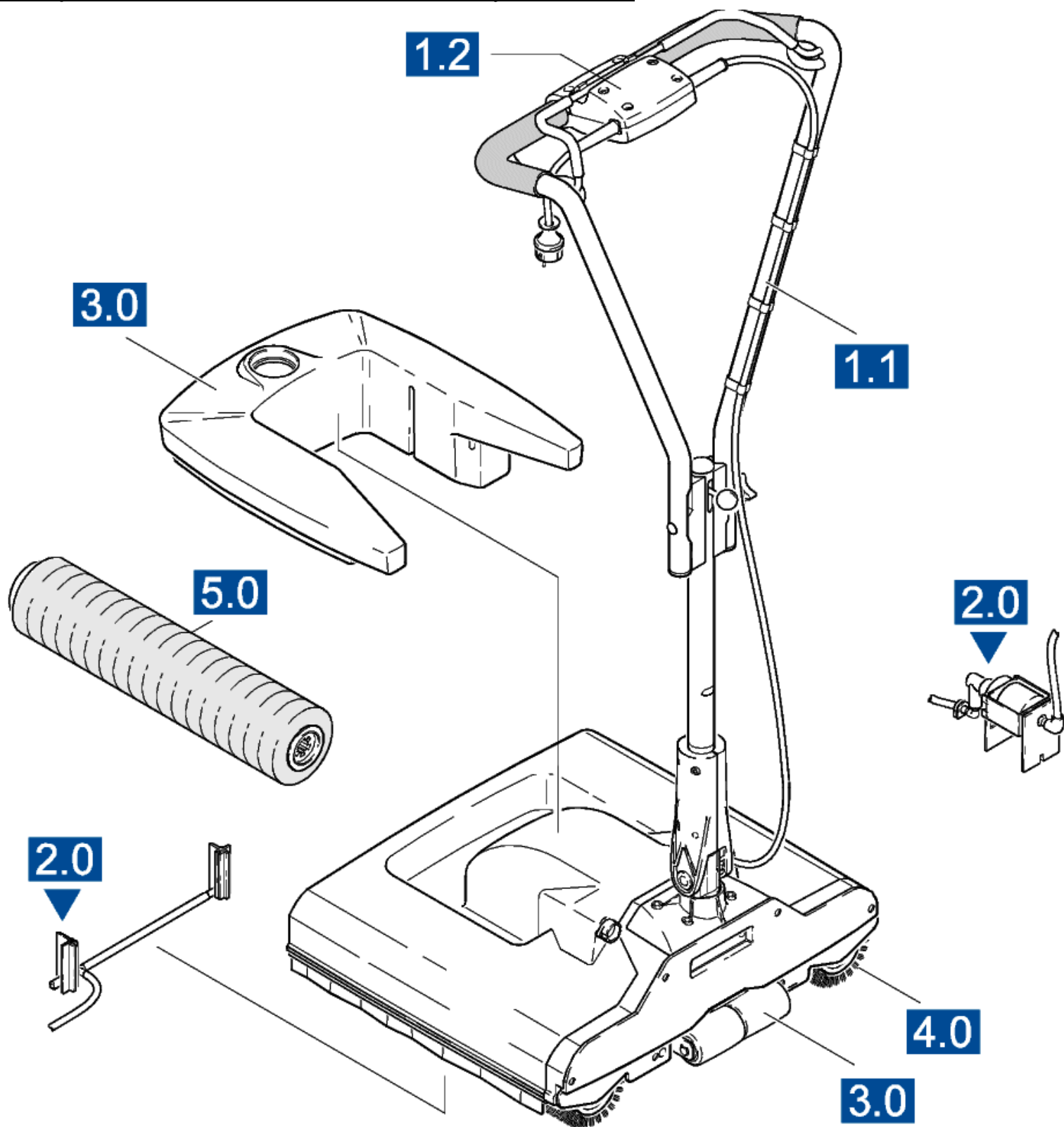
	Number	Description	Qty Req.
1.1		SHEARING SHACKLE	
1.2		CONTROL SYSTEM	
2.0		ELECTRONICS	
3.0		POWER BRUSH	
4.0		POWER BRUSH-GEARING	
5.0		ACCESSORIES	



## Main Components

Model :97605 16" BR VS 400 BR Vario Cylindrical Brush

	Number	Description	Qty Req.
1.1		SHEARING SHACKLE	
1.2		CONTROL SYSTEM	
2.0		ELECTRONICS	
3.0		POWER BRUSH	
4.0		POWER BRUSH-GEARING	
5.0		ACCESSORIES	



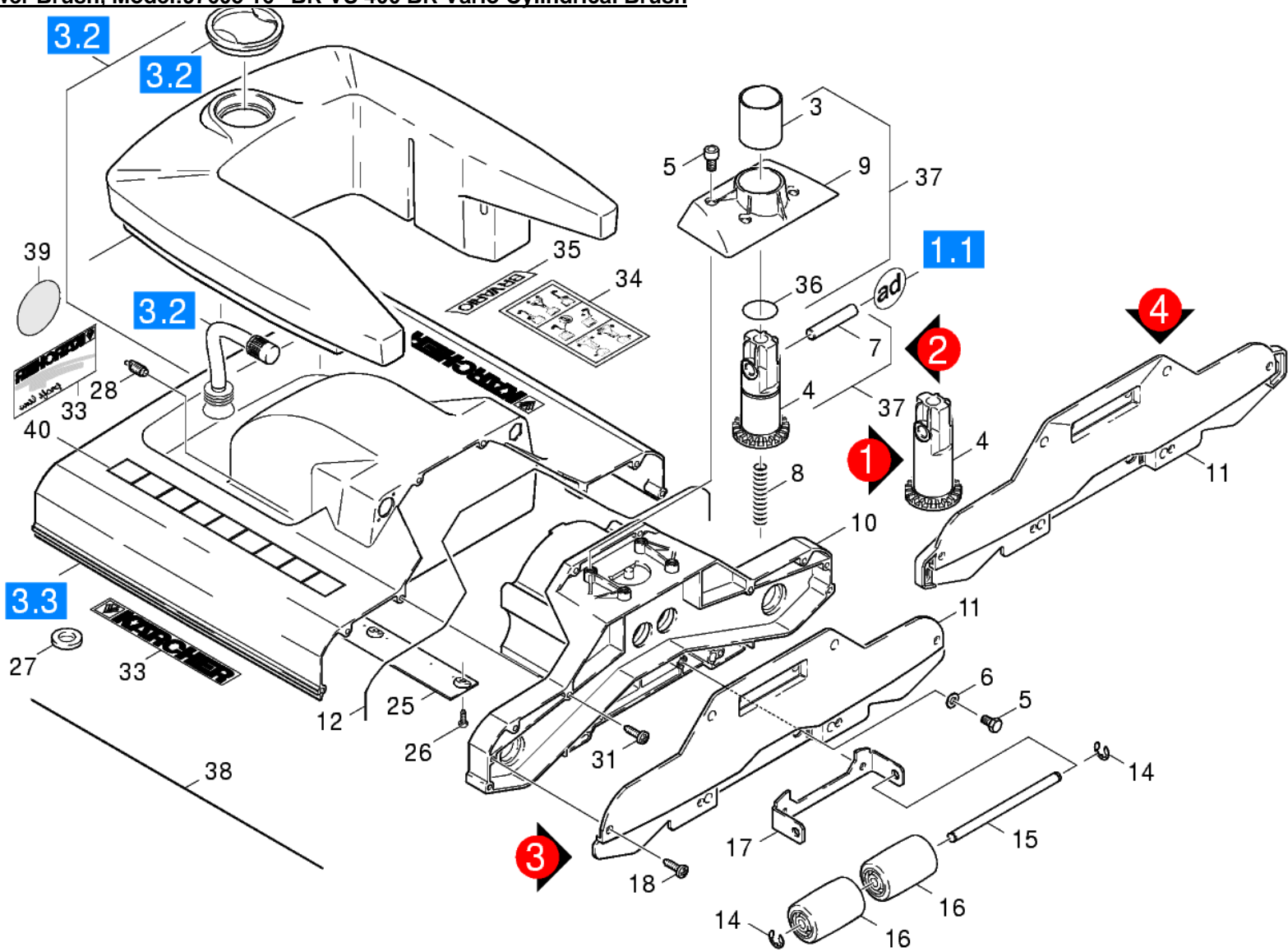
## Power Brush

Model :97605 16" BR VS 400 BR Vario Cylindrical Brush

	Number	Description	Qty Req.
	K64354300	ROLLER D45 GREY	2
	K53842320	DECAL-HOLM	1
3	K64030420	PLAIN BEARING 40/44X5	1
4	K50314770	MOULDED PART HOLMGELE	1
4	K50318110	MOLDED PART	1
5	K73060400	USE #K73065030CHEESE HEAD SCREW	6
6	K73120040	WASHER 8 -200HV-P3E ISO 7090	2
7	K53168520	BOLT	1
8	K63301400	PRESSURE SPRING	1
9	K50314870	COVER	1
10	K50314790	HOUSING-MOTOR	1
11	K50315850	COVER	1
	K50319510	COVERING CAP	1
12	K62730370	CELLULAR RUBBER CORD	1
14	K73433030	LOCK WASHER	2
15	K51052670	AXLE	1
16	K64353410	ROLLER D45	2
17	K50480810	PLATE	1
18	K73030380	SCREW M 5 X 12	6
25	K50018610	PLATE	2
26	K73031040	SCREW 5 X 16	8
27	K53620020	GASKET DISC	1
28	K51081920	PIN	1
31	K73031050	SCREW 5 X 25	8
33	K53832300	DECAL-KARCHER	2
	K53835920	DECAL-PROFI LINE	1
34	K53832900	DECAL-HOLM	1
35	K53801910	DECAL BR VS 400	1
	K53832310	DECAL-BR VARIO	1
36	K63626050	GASKET 36 17X 2 62	1
37	K40310200	PUSH HANDLE JOINT ASSY	1
38	K53620040	SEAL STRING D2	2
39	K53806780	DANGER SIGN	1
40	K54232960	DECAL	1



Power Brush, Model:97605 16" BR VS 400 BR Vario Cylindrical Brush

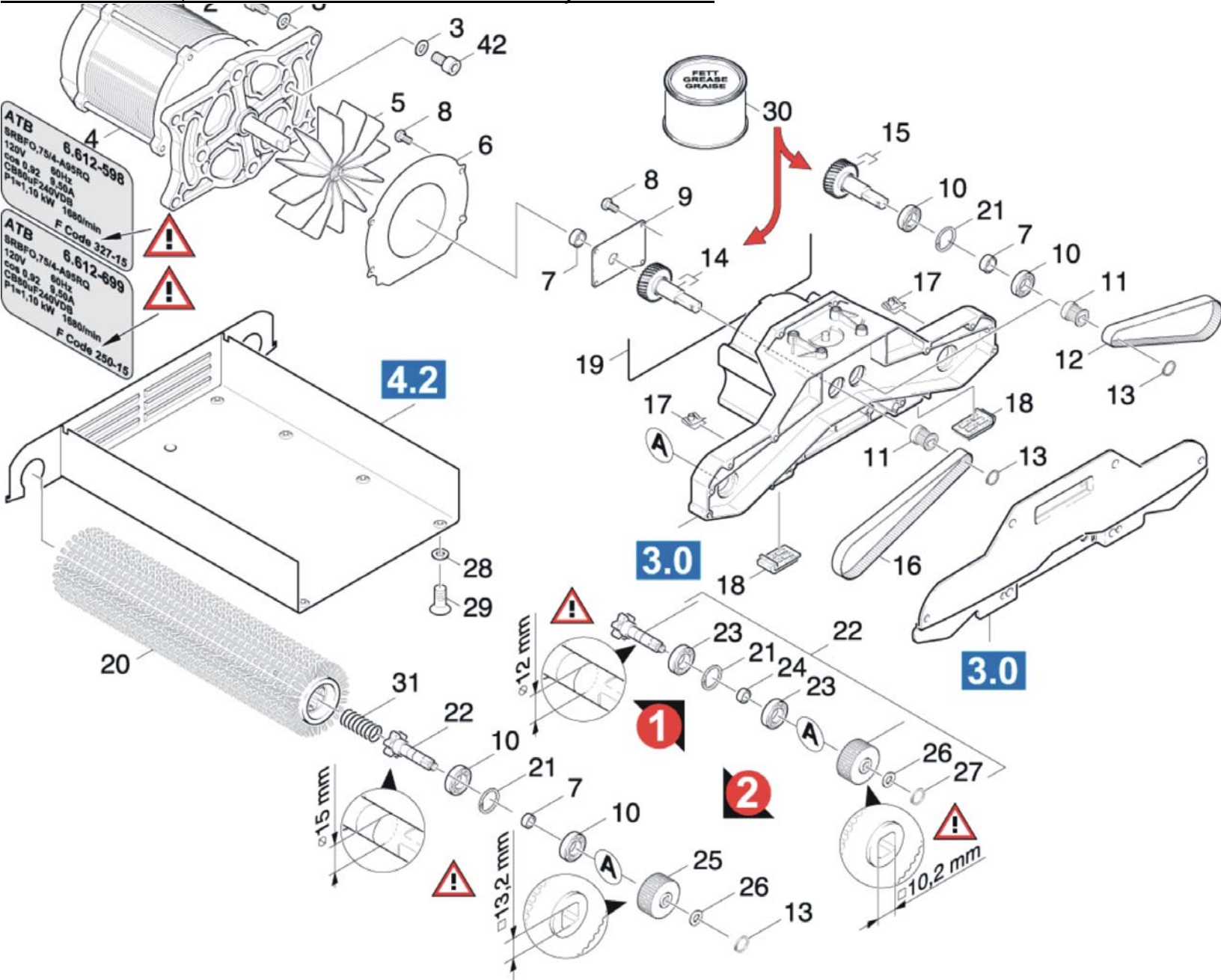


## Power Brush Drive

Model :97605 16" BR VS 400 BR Vario Cylindrical Brush

	Number	Description	Qty Req.
2	K73060420	SCREW-CYLINDER HEAD M8 X 25 -8.8	4
3	K73120040	WASHER 8 -200HV-P3E ISO 7090	8
4	K66126990	MOTOR	1
5	K56000580	BLOWER WHEEL	1
6	K51310440	SCREEN	1
7	K51106860	SLEEVE	
8	K73030380	SCREW M 5 X 12	8
9	K56710140	COVER PLATE	1
10	K74011150	BALL BEARING	
11	K56253180	PULLEY 21Z	2
12	K63483830	TOOTHED BELT	1
13	K73430030	SAFETY RING	
14	K41001240	SHAFT	1
15	K41001250	SHAFT	1
16	K63484010	TOOTHED BELT	1
17	K63101230	NUT ST 4 2	2
18	K50560100	ROCKER	2
19	K62731830	CELLULAR RUBBER CORD	1
20	K47622490	ROLLER BRUSH (MEDIUM STD)- 400 MM	2
	K47622500	ROLLER BRUSH (SOFT)- 400 MM	2
	K47622510	ROLLER BRUSH (HIGH/LOW)- 400 MM	2
	K47622520	ROLLER BRUSH (HARD GRIT) - 400 MM	2
	K47622540	ROLLER BRUSH (SOFT)- 400 MM	2
	K47622740	ROLLER BRUSH (SOFT)- - 400 MM(VARIO)	2
21	K73432310	SPRING CLIP	4
22	K28824640	CONVERSION KIT ANTWEL	2
22	K51003000	DRIVE SHAFT	2
23	K74011690	BALL BEARING 6201-2RS	4
24	K51106850	SLEEVE	2
25	K56253570	PULLEY 56Z	2
26	K73432100	DISK-SUPPORTING	2
26	K73432120	WASHER 12X18X1	2
27	K73430010	SPRING CLIP 10 X 1	4
28	K63632450	GASKET DISC	8
29	K73031040	SCREW 5 X 16	8
30	K62880950	GREASE (CAN)	1
31	K53324690	HELICAL SPRING	1
42	K73061190	CHEESE HEAD SCREW M 8 X 12	4
43	K50314990	FLANGE (BR VARIO)	1

**Power Brush Drive, Model:97605 16" BR VS 400 BR Vario Cylindrical Brush**

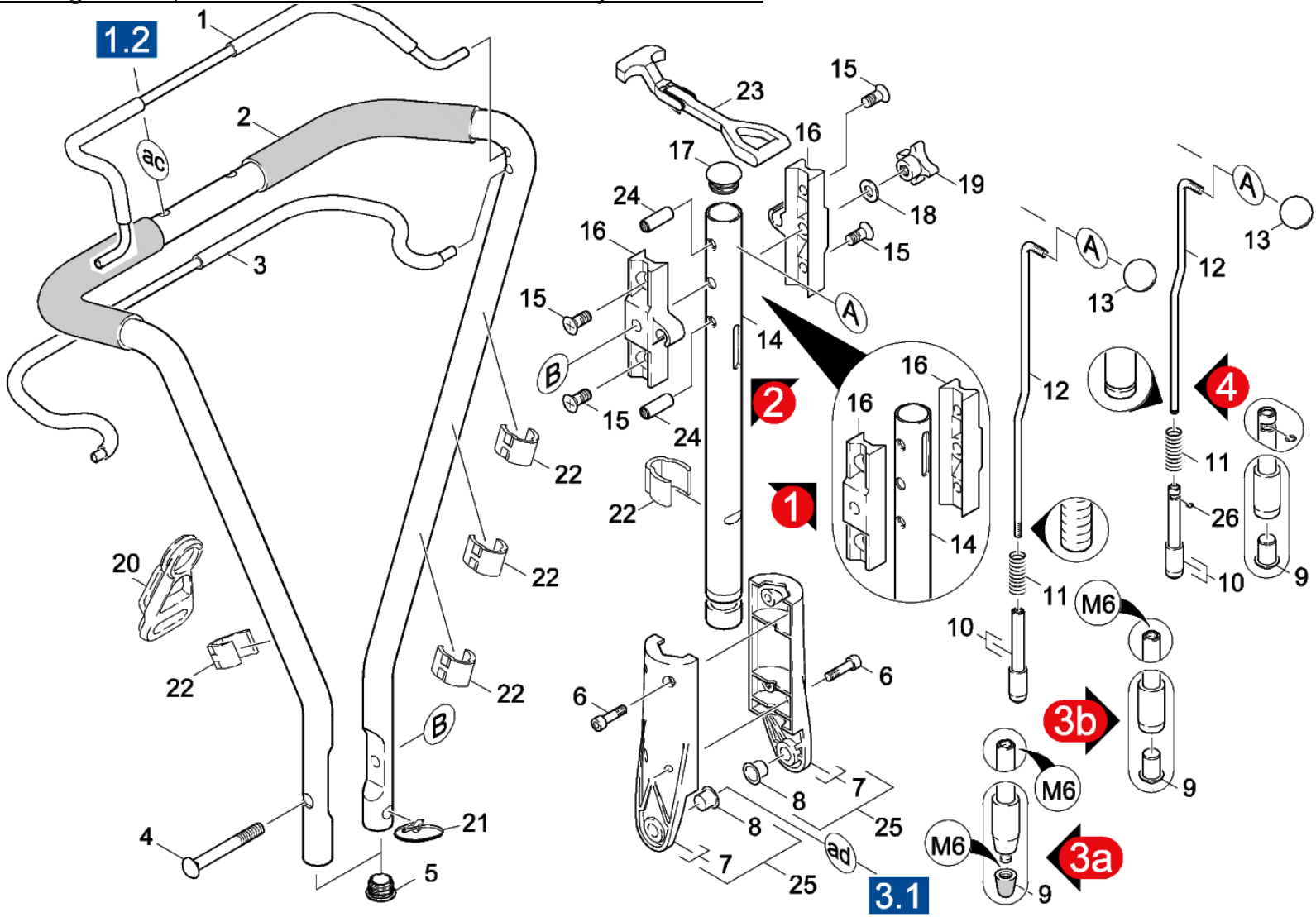


## Shearing Shackle

Model :97605 16" BR VS 400 BR Vario Cylindrical Brush

	Number	Description	Qty Req.
1	K40341060	STRAP	1
2	K40341040	STRAP	1
3	K40341050	STRAP	1
4	K73031370	SAUCER-HEAD SCREW M 10 X 120	1
5	K63681960	DRAIN PLUG	2
6	K73060250	CHEESE HEAD SCREW	4
7	K50315060	MOLDED PART	2
8	K63470840	BUSHING	2
9	K53680010	CAP	1
9	K53680020	CAP - WHITE CLIP-ON	1
10	K43160210	INDEXING BOLT	1
10	K43160220	PISTON ASSY W/CLIPON CAP	1
11	K53323200	HELICAL SPRING	1
12	K51072010	BAR	1
12	K51072160	BAR	1
13	K73210300	BALL BUTTON C 25	1
14	K50345520	STRAP	1
	K50346180	STRAP	1
15	K73056370	FLAT HEADED SCREW M 8 X 16	4
16	K50315310	CLAMP	2
	K50317930	CLAMP	2
17	K63857830	PLUG	1
18	K73120050	WASHER 10-200HV-A3E ISO 7090	2
19	K63210280	CONTROL KNOB K 50	1
20	K66417760	PULL RELIEF	1
21	K66477240	CABLE TIE	5
22	K58394080	CABLE CLIP	5
23	K43730010	CLAMPING ELEMENT	1
24	K51108250	SLEEVE	2
25	K40310220	PUSH HANDLE ACCEPTANCE KPL	1
26	K73433050	LOCK WASHER	1

Shearing Shackle, Model:97605 16" BR VS 400 BR Vario Cylindrical Brush



**Accessories**

Model :97605 16" BR VS 400 BR Vario Cylindrical Brush

	<b>Number</b>	<b>Description</b>	<b>Qty Req.</b>
0	K47622280	REVERSING ROLLING MIL	1
1	K63693880	PAD-WHITE-96-20CT	1
	K63694510	PAD-YELLOW-96-20CT	1
	K63694520	PAD-GREEN-96-20CT	1
	K63694530	PAD-RED-96-20CT	1
2	K51157270	USE #K41150030	1
3	K51203130	HUB	1
4	K53324690	HELICAL SPRING	1
5	K40386770	SHEET METAL COMPONENT THREAD REFLECTOR	1

