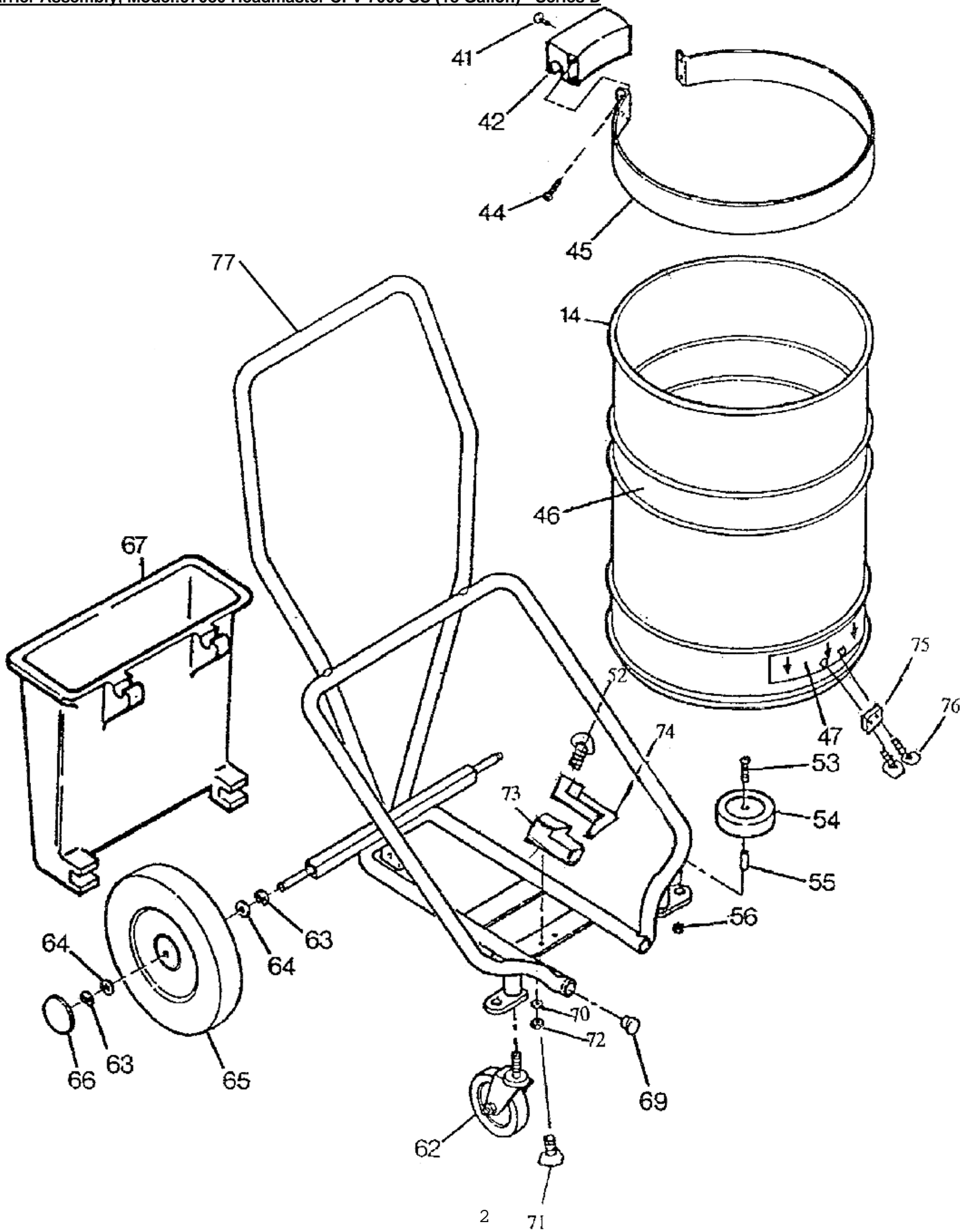


## Carrier Assembly

Model :97080 Headmaster CFV 7000 SS (18 Gallon) - Series D

	Number	Description	Qty Req.
41	3261	SCREW-TCT(F)PAN HEAD#10-32 X 3/8"	1
42	17823	PIVOT BLOCK-T/P CARRIER (HM-7000_TASKFORCE)	1
44	1995	SCREW-PHIL. PAN HD MACH#10-32 X 7/8 (ZP)	4
45	17822	TANK STRAP	1
46	30817	DECAL-TORNADO W/ LOGO 2.25 WIDE X 9.50 LG. WHT	1
47	14676	DECAL-STEP-LIFT-STEP TANK	1
48	3660	SCREW-PHIL. PAN HD MACH#10-24 X 7/16 (ZP)	1
53	1978	SCREW-PHIL. RND HD MACH1/4-20 X 1-1/2 (ZP)	2
54	3264	USE #30044WHEEL-3" DIA (3/8" BORE)	2
55	17400	SPACER-1/4	2
56	7533	NUT-HEX.LOCK(P/T)1/4-20	2
62	17373	CASTER 4 DIA	2
63	2663	USE #03470RING-RETAINING	4
64	16581	WASHER-PLAIN .563 ID (SS)	4
65	2661	WHEEL, 10"BLACK HUB	2
66	3084	CAP-HUB	2
67	17817	TOOL BASKET (HM-7000_TASKFORCE)	1
	98186	CARRIER-TIP_POUR (TANK VACS.)	
69	17784	PLUG-TUBE 18 GA. X 1OD	4
70	1713	WASHER-LOCK(H/S)#10	3
71	4735	SCREW-PHIL. TRUSS HD#10-24 X 3/4 (ZP)	6
72	11219	WASHER-PLAIN #10 ID (ZP)	2
73	18743	BLOCK-LATCH MOUNTING	1
74	18745	LATCH-CARRIER TANK	1
75	18744	LATCH STOP	1
76	15621	SCREW-HEX HD MACH #10-24 X 5/8 (ZP)	2
77	17818	WELDMENT-CARRIER FRAME PAINT	1
78	17832	NUT-TP SPOT WELD #10-32	2
	17407	DECALW/D 7000	1
	11898	DECALSTRIP TORNADO_LOGO	1
	98670	VACUUM HEADMASTER 7000 115V HEAD ONLY TOX HEPA	
	98671	VACUUM HEADMASTER 7000 230V HEAD ONLY TOX HEPA	



## Head and Tank Assembly

Model :97080 Headmaster CFV 7000 SS (18 Gallon) - Series D

	Number	Description	Qty Req.
1	17451	SCREW-PHIL. PAN HD MACH #10-24 X 7/16 (BLK.OX)	7
2	17335	COVER-VACUUM HEAD(HM)	1
3	18055	PANEL-ELECT.(HM-4000)	1
4	17342	SWITCH-ROCKER D.P.S.T. 20A/125-277VAC/1-1/2HP	1
8	17471	ASSEMBLY-VAC. HEAD BASE(HEADMASTER)	1
9	3105	NUT-CLINCH,#10-24	2
10	10894	NUT-HEX.LOCK(P/T) #10-24	1
11	17398	INTAKE HOSE RETAINER ASSEMBLY(SPRING PLUNGER)	1
12	17368	INTAKE-VACUUM HEAD(HM)	1
13	17405	GASKET-TANK(HM VACS.)	1
14	17389	TANK-18 GALLON	1
15	17472	ASSEMBLY-INTAKE PLATE(HM VACS.)	1
16	17430	INTAKE ELBOW ADAPTOR	1
17	17339	INTAKE ELBOW-90 DEG. (HM VACS.)	1
18	17371	FILTER HOLDER-HEPA(HM7) SERVICE USE:17473	1
19	17600	GASKET	2
20	17354	BRACKET-TANK LATCH MTG. (L/H)	2
21	17356	BRACKET-TANK LATCH MTG. (R/H)	2
22	17357	LATCH-TANK(VAC.HEAD) (HM VACS.)	2
23	17353	SPRING-TANK LATCH	2
24	11007	WASHER-LOCK(I/T)#10	2
25	11390	SCREW-T.C.T.(BT)PAN HEAD #10-16 X 5/8	20
27	19412	ASSEMBLY-POWER CORD 115V (HM VACS)	1
28	2961	BUSHING-STRAIN RELIEF(6L-1)	1
29	17376	NUT-HEX.LOCK #10-24(NYLON)	1
30	17377	PANEL-MOTOR EXHAUST VENT (HM VACS.)	1
33	10971	CAST NOZZLE THROAT	1
34	17348	MOTOR-VACUUM BYPASS P/D 2-STAGE 115V/50-60HZ	1
	17426	MOTOR-VACUUM BYPASS P/D 2-STAGE 230V/50-60HZ	1
35	98592	FILTER-HEPA(MAIN) (H/M 6000 _7000)	1
36	14669	SCREW-PHIL. RND HD MACH 1/4-20 X 2-1/4 (ZP)	1
37	17816	BAFFLE(HM VACS.)	1
38	17562	ELECTRICAL PANEL CLOSURE (HM VACS.)	1
39	98593	IMPACT SCAFITEX FILTER (H/M 6000 _7000)HEPA	1
40	98588	FILTER-PAPER BAG(12/PK) PRIMARY(HM-7000)HEPA	1
	30817	DECAL-TORNADO W/ LOGO 2.25 WIDE X 9.50 LG. WHT	1

