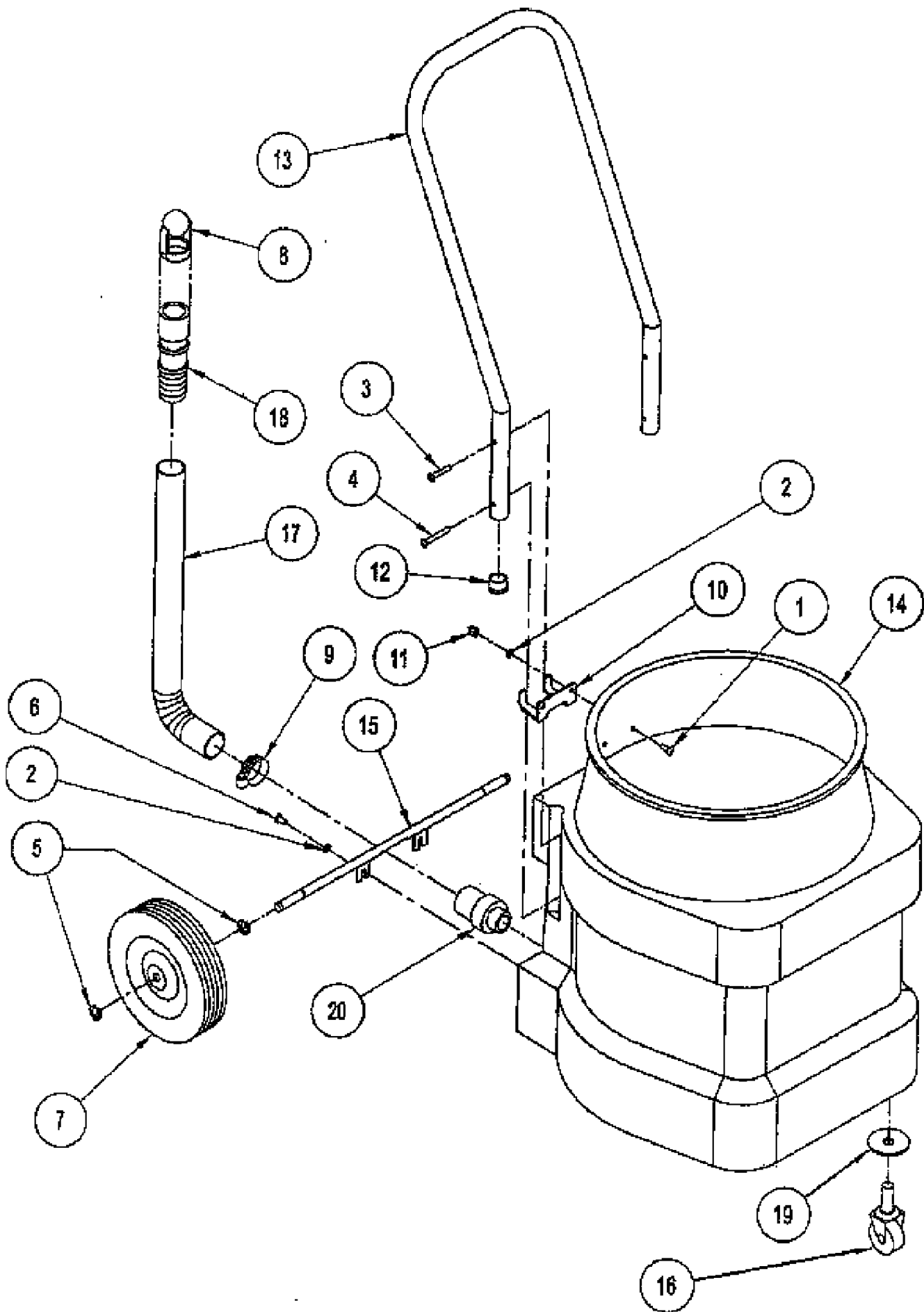


Tank Assembly

Model :94190 Headmaster 4000 (21 Gallon) - Series A

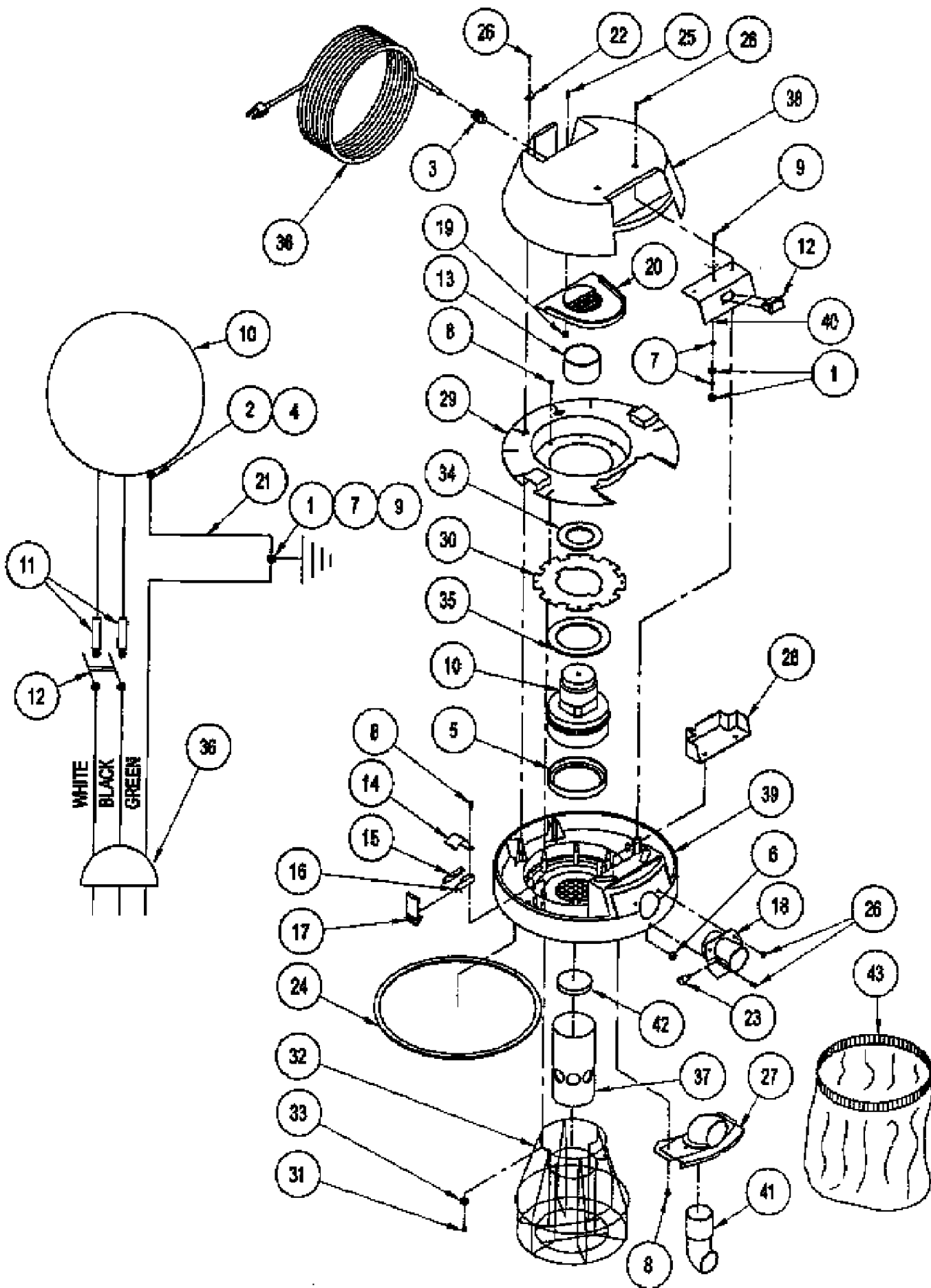
	Number	Description	Qty Req.
1	00064	SCREW-PHIL. OVAL HD MACH 1/4-20 X 3/4 (SS)	2
2	01574	WASHER-LOCK(H/S)1/4	4
3	01978	SCREW-PHIL. RND HD MACH 1/4-20 X 1-1/2 (ZP)	4
4	01979	SCREW-PHIL. RND HD MACH 1/4-20 X 2.00 (ZP)	1
5	02663	USE #03470RING-RETAINING	4
6	05427	SCREW-PHIL. RND HD MACH 1/4-20 X 5/8 (ZP)	2
7	14867	WHEEL- 8DIA.(1/2BORE) BLACK (1-3/4 WIDTH)	2
8	16089	STOPPER RETAINED PLUG DRAIN HOSE	1
9	16091	CLAMP-HOSE(SCREW) 1-1/4-2(LINED)	1
10	17273	BRACKET-DRAIN HOSE RETAINING	1
11	17507	NUT-ACORN 1/4-20(SS)	2
12	17784	PLUG-TUBE 18 GA. X 1OD	2
13	18054	HANDLE-TANK(HM4000)	1
14	18060	TANK-VACUUM 21 GALLON (HM-4000)	1
15	18063	WELDMENT-AXLE(HM4000)	1
16	18066	CASTER-3DIA. SWIVEL/BLACK	2
17	18071	HOSE-TANK DRAIN(HM4000)	1
18	18563	NOZZLE-DRAIN HOSE (HM-4000 _F/K'S)	1
19	19373	WASHER-PLAIN .625 ID (ZP)	2
20	19409	ASSEMBLY-TANK DRAINFITTING(HM 4000)	1



Vacuum Head Assembly

Model :94190 Headmaster 4000 (21 Gallon) - Series A

	Number	Description	Qty Req.
1	01604	NUT-FINISHED HEX #10-32 (ZP)	2
2	01713	WASHER-LOCK(H/S)#10	1
	02563	PLUG-POWER CABLE(MALE) 230V(3-PRONG)	1
3	02961	BUSHING-STRAIN RELIEF (6L-1)	1
4	03261	SCREW-TCT(F)PAN HEAD #10-32 X 3/8	1
5	02941	GASKET - MOTOR	1
6	10894	NUT-HEX.LOCK(P/T) #10-24	1
7	11007	WASHER-LOCK(I/T)#10	2
8	11390	SCREW-T.C.T.(BT)PAN HEAD #10-16 X 5/8	20
9	12896	SCREW-PHIL. RND HD MACH #10-32 X 5/8 (ZP)	1
10	14800	MOTOR-VACUUM BYPASS SS 2-STAGE 115V/50-60HZ	1
	17425	MOTOR-VACUUM BYPASS P/D 2-STAGE 230V/50-60HZ ACC	1
11	15139	TERMINAL-Q.D.FEMALE 1/4 X 16/14GA.(FUL.INS)	2
12	17342	SWITCH-ROCKER D.P.S.T. 20A/125-277VAC/1-1/2HP	1
13	17351	SLEEVE-MOTOR EXHAUST VENT	1
14	17353	SPRING-TANK LATCH	2
15	17354	BRACKET-TANK LATCH MTG. (L/H)	2
16	17356	BRACKET-TANK LATCH MTG. (R/H)	2
17	17357	LATCH-TANK(VAC.HEAD) (HM VACS.)	2
18	17368	INTAKE-VACUUM HEAD(HM)	1
19	17376	NUT-HEX.LOCK #10-24(NYLON)	1
20	17377	PANEL-MOTOR EXHAUST VENT (HM VACS.)	1
21	17378	LEAD-18 GA. X 11 GREEN	1
22	17392	CLAMP-CABLE(CCH 5/16)	1
23	17398	INTAKE HOSE RETAINER ASSEMBLY(SPRING PLUNGER)	1
24	17405	GASKET-TANK(HM VACS.)	1
25	17419	SCREW-PHIL. RND HD MACH #10-24 X 1/2 (NYLON)	1
26	17451	SCREW-PHIL. PAN HD MACH #10-24 X 7/16 (BLK.OX)	7
27	17472	ASSEMBLY-INTAKE PLATE(HM VACS.)	1
28	17562	ELECTRICAL PANEL CLOSURE (HM VACS.)	1
29	17816	BAFFLE(HM VACS.)	1
30	17847	PLATE-MOTOR MOUNTING (HM-4000)	1
31	17848	SCREW-PHIL. TRUSS HD #10-24 X 1/2 (SS)	4
32	18515	FLOAT CAGE(HM VACS.)	1
33	18538	RETAINER-FLOAT CAGE(HM)	4
34	19410	GASKET-VAC.MOTOR(UPPER) CUT L 16.75	1
35	19411	GASKET-VAC.MOTOR(LOWER) CUT L 21.5	1
36	19412	ASSEMBLY-POWER CORD 115V (HM VACS)	1
37	19413	ASSEMBLY-FLOAT(HM VACS.)	1
38	19414	USE #17335,17703,18068(HM 4000)	1
39	19415	ASSEMBLY-VAC.HEAD BASE(HM 4000)	1
40	19416	ASSEMBLY-ELECT.PANEL(HM 4000)	1
41	19417	ASSEMBLY-INTAKE ELBOW(HM VACS.)	1
42	98585	FILTER-FOAM(12/PK) VAC.MOTOR INTAKE(HM)	1
43	98609	FILTER-CLOTH BAG(WET) (HEADMASTER VACS)	1
	98766	FILTER-CLOTH BAG(DRY) (HEADMASTER VACS)	1



Options And Accessories

Model :94190 Headmaster 4000 (21 Gallon) - Series A

	Number	Description	Qty Req.
0	90286	WAND-DBL.CURVED ALUM 1-1/2 X 4'	1
	90289	HOSE 1-1/2 X 10' POLYETHYLENE(W/SLEEVE)	1
0	90640	TOOL-FLOOR(1-1/2)T-LITE SQUEEGEE(14)	1
0	90693	TOOL-FLOOR CARPET 14 T-LITE (1-1/2)	1
0	90004	TOOL-HAND(1-1/2)PLASTIC CREVICE(15)	1
0	90380	TOOL-HAND(1-1/2)ALUM. ROUND DUSTING BRUSH(3)	1
	90654	ATTACHMENT SET-(1-1/2) T-LITE(WET/DRY)	1
	90050	FILTER-HOSPITAL(3/PK) (H/M VACS)	1

