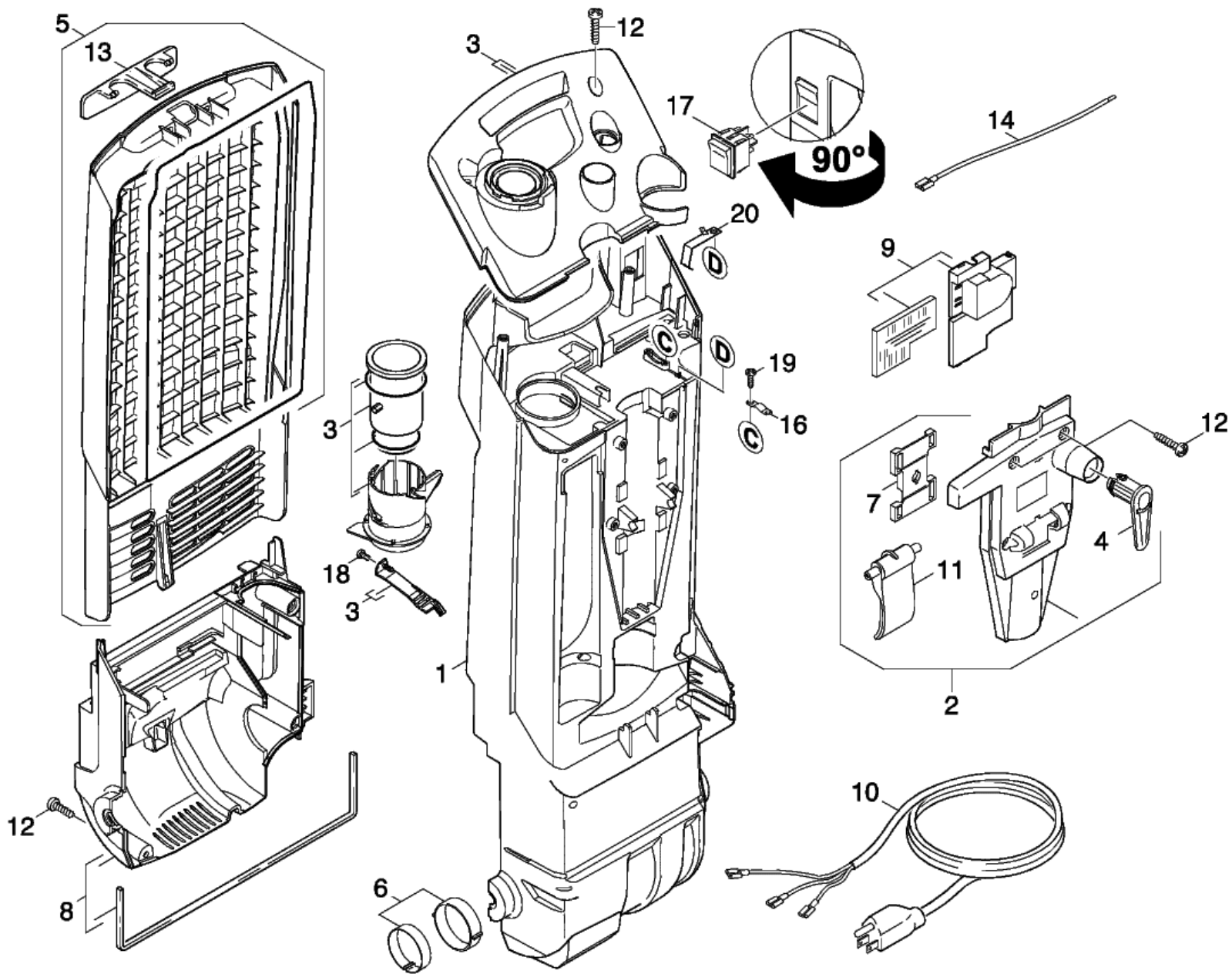


## Appliance Top Part

Model :91451 15" CV 38 Single Motor Upright Vacuum

	<b>Number</b>	<b>Description</b>	<b>Qty Req.</b>
1	K50609910	HOUSING	1
2	K40320030	COVER CPL	1
3	K40320040	COVER ELECTRIC	1
4	K50446610	CABLE HOOK	1
5	K40640030	COVER	1
6	K42500790	BEARING SHELL	1
7	K50324480	CLAMP	1
8	K40532240	MOTOR COVER CPL	1
9	K46820010	CIRCUIT BOARD	1
10	K46490010	ELECTRIC CORD 40' CV 30	1
11	K54813450	LEVER	1
12	K73031080	SCREW 5 X 20	9
13	K50750300	LID LOCK	1
14	K48393290	E-PARTS	1
16	K69032410	CLAMP CLIP	1
17	K66301560	ROCKER SWITCH	1
18	K73031060	SCREW 4 X 12	1
19	K73030930	SCREW 3.5 X 12	2
20	K50346890	GROUNDING STRAP	1

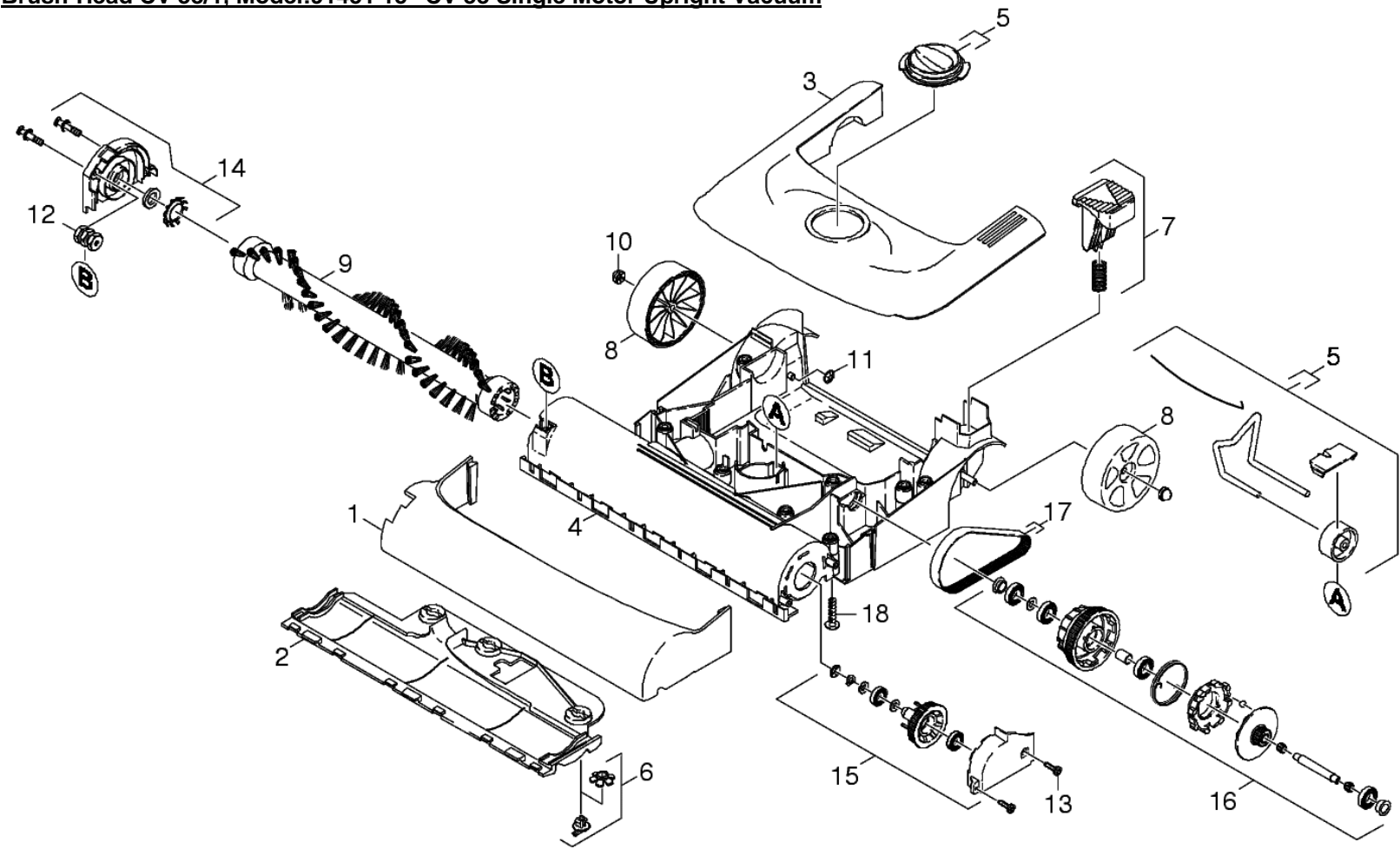
Appliance Top Part, Model:91451 15" CV 38 Single Motor Upright Vacuum



**Brush-Head CV 38/1**  
 Model :91451 15" CV 38 Single Motor Upright Vacuum

	<b>Number</b>	<b>Description</b>	<b>Qty Req.</b>
1	K50324560	SHOCK ABSORBER	1
2	K50585000	GLIDE SOLE	1
3	K50610430	TOP OF COVER-YELLOW	1
4	K50609930	USE #K40606980	1
5	K45150960	ADJUSTING WHEEL CPL	1
6	K28842730	LOCK PIECE KIT	1
7	K44810000	FOOT LEAVER CPL	1
8	K55151880	WHEEL	2
9	K69066430	ROLLER BRUSH BLK CV 38/1 SOFT STANDARD	1
10	K63431870	LOCK WASHER	2
11	K63431190	LOCK WASHER	2
12	K54012880	SCREW UNION PART	2
13	K73031060	SCREW 4 X 12	2
14	K40637730	COVERING CAP	1
15	K40637740	COVER CPL	1
16	K44700220	COUPLING CLUTCH CV 3X	1
17	K28842740	BELT FRONT _BACK	1
18	K73031080	SCREW 5 X 20	8

**Brush-Head CV 38/1, Model:91451 15" CV 38 Single Motor Upright Vacuum**

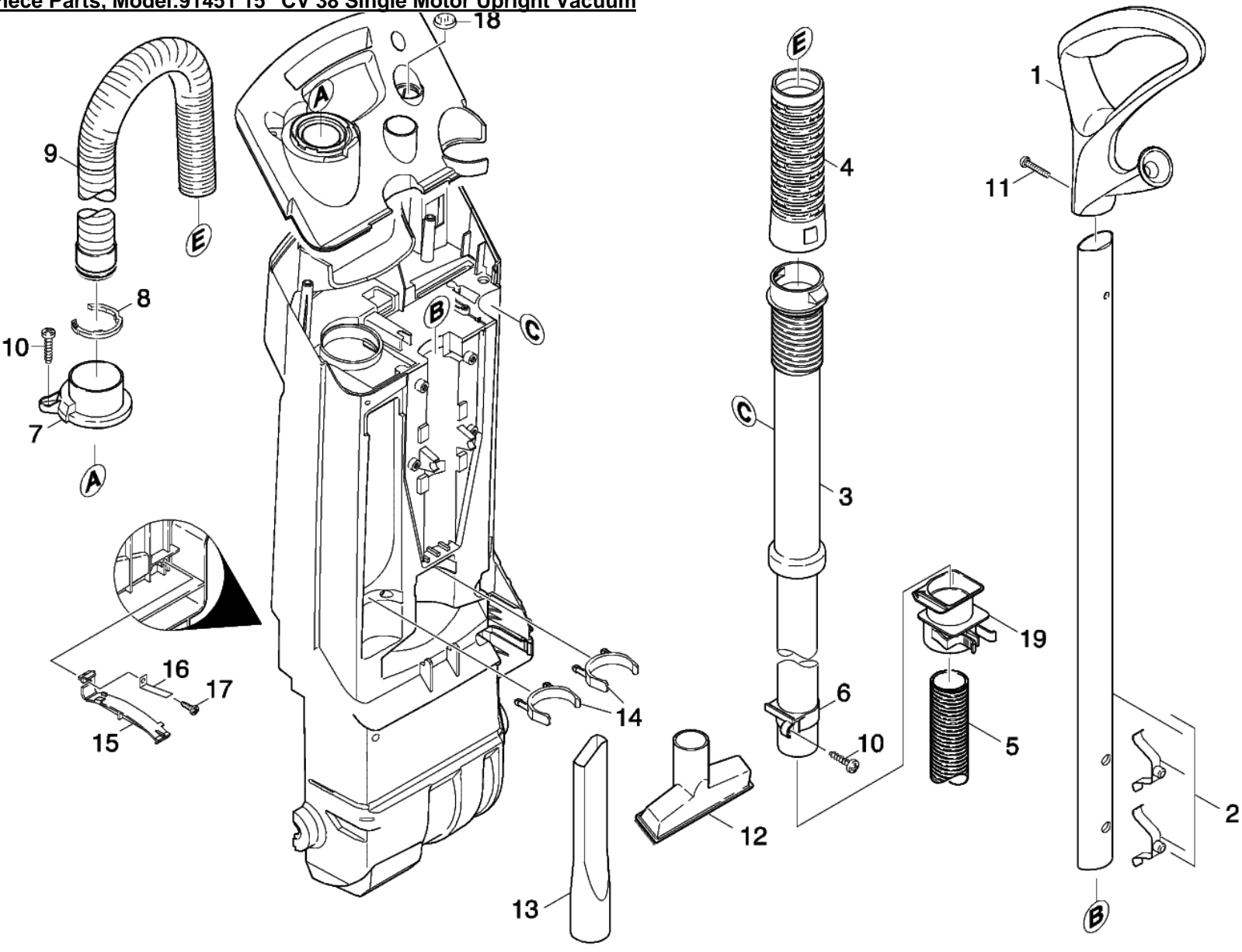


## Piece Parts

Model :91451 15" CV 38 Single Motor Upright Vacuum

	<b>Number</b>	<b>Description</b>	<b>Qty Req.</b>
1	K53217130	HANDLE	1
2	K41280010	HANDLE CPL	1
3	K51285680	WAND REPLACED BY 51290460	1
4	K53946800	PROT. RUBBER SLEEVE	1
5	K63911150	SUCTION HOSE DN 32	1
6	K55700750	RING SUCTION TUBE	1
7	K50325400	CONNECTION PIECE	1
8	K50310110	RETAINING SPRING	1
9	K63911710	SUCTION HOSE DN 32	1
10	K73031080	SCREW 5 X 20	2
11	K73031180	SCREW 5X40 -A2-70 (IN6RD	1
12	K69002330	UPHOLSTERY NOZZLE	1
13	K69062400	CREVICE TOOL DN35	1
14	K50411110	CLIP ACCESSORIES	2
15	K50428360	BRACKET FILTER	1
16	K53323390	SPRING	1
17	K73031060	SCREW 4 X 12	1
18	K50315210	LENS	1
19	K54071150	BUSHING	1

Piece Parts, Model:91451 15" CV 38 Single Motor Upright Vacuum

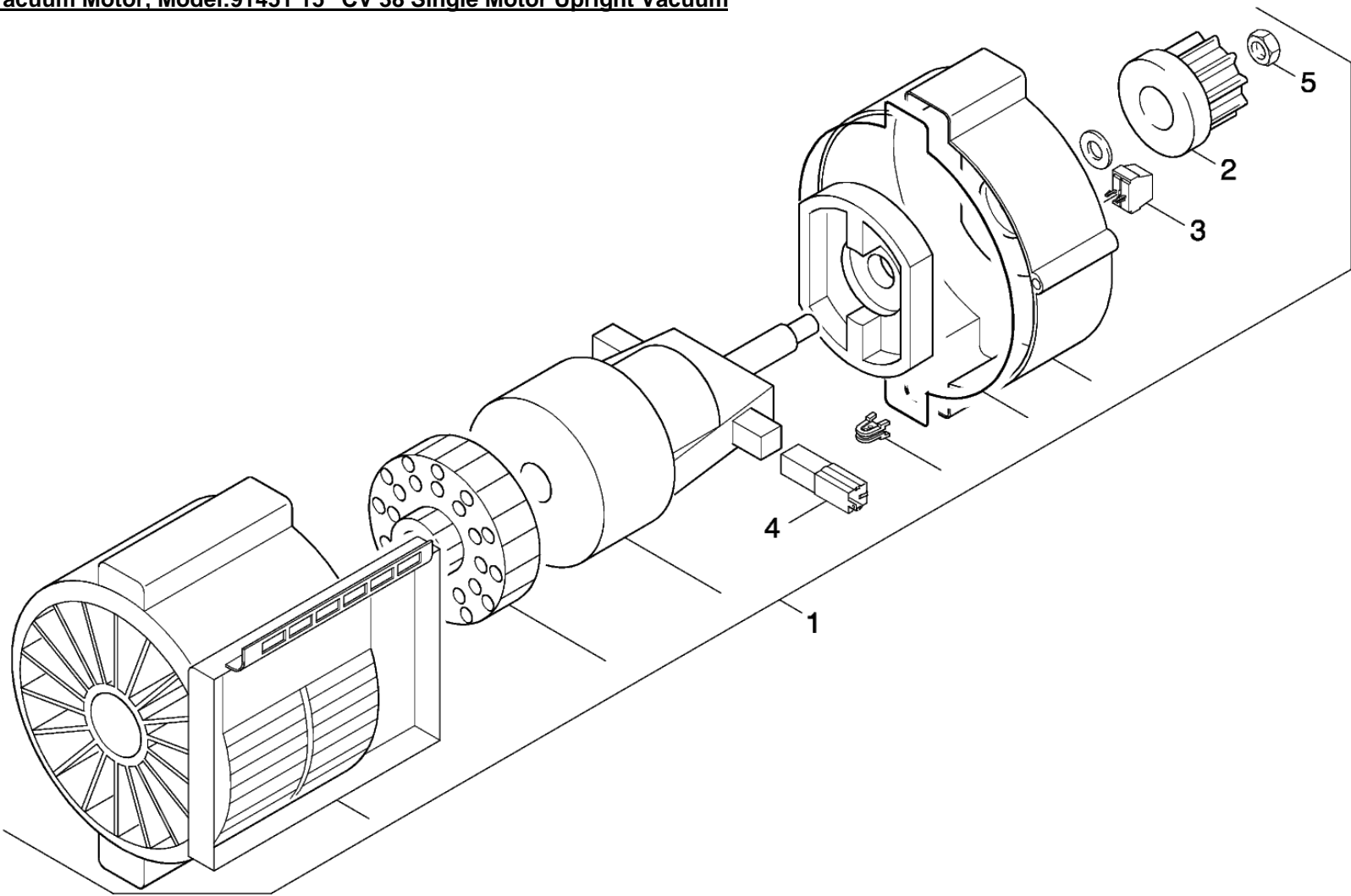


**Vacuum Motor**

Model :91451 15" CV 38 Single Motor Upright Vacuum

	<b>Number</b>	<b>Description</b>	<b>Qty Req.</b>
1	K40605700	USE #K40605910MOTOR FRAME CPL	1
2	K53520850	PINION	1
3	K66435510	STRIP TERMINAL	1
4	K66102490	CARBON BRUSH SET	1
5	K73114310	HEX NUT	1

**Vacuum Motor, Model:91451 15" CV 38 Single Motor Upright Vacuum**





**Accessories**

Model :91451 15" CV 38 Single Motor Upright Vacuum

	<b>Number</b>	<b>Description</b>	<b>Qty Req.</b>
1	K57316110	FILTER MOTOR PROTECTION	1
2	K57316140	FILTER FRAME GREY	1
3	K64147600	HEPA EXHAUST AIR FILTER	1
4	K64147610	EXHAUST AIR (3 PACK) FILTER-FILTER FOAM	1
5	K69042940	PAPER FILTER BAG 10-PK	1
6	K69066420	ROLLER BRUSH RED CV 30/1 HARD FOR FELT	1
7	K69043050	FLEECE FILTER BAG 10-PK	1
8	K69043010	FABRIC FILTER BAG 1 PIECE	1
9	K69066440	ROLLER BRUSH RED CV 38/1 HARD FOR FELT	1

