



FASTER The Paramount 20 is designed to safely clean and maintain both large and small carpeted areas. It is a high efficiency, self propelled, walk-behind, single pass cleaning system. The high volume P20 delivers cleaning solution at 400 p.s.i. and is a total cleaning system for carpet, upholstery, fabric wall panels and hard surfaces.



CLEANER At 400 p.s.i. and 1.3 gallons per minute the P20 is the new standard for portable cleaning systems on the market. It is designed to provide unmatched carpet, upholstery, hard surface cleaning and restoration. It is specially designed to clean virtually every surface in a building including modular office panels, fabric covered walls, grouted tile, marble and vinyl wall coverings to name a few.



DRIER The unique CFR technology provides total solution control. The cleaning fluid never rests on the carpet. The Paramount 20's patented cleaning tools controls the solution at all times. Solution is injected with air at a very high velocity. It passes through the carpet fibers and is pulled into the tank. This unique fluid control system simply means drying times are cut to a fraction of conventional machines.

Innovative technology built into a mid-size cleaning system that out cleans conventional extractors with CFR's patented continuous flow cleaning method.

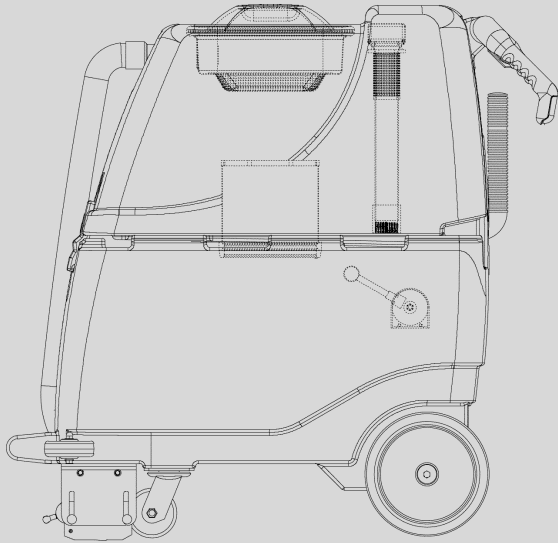
The Paramount 20 is the ultimate in productivity combined with CFR's unique cleaning technology. Not only does it clean more square feet per hour than any other mid-size extractor, it also removes more soil from the carpet. With a run time of over an hour between refills, the Paramount 20 has a productivity rating of 8,000 square feet per hour. All other mid-size extractors pale in comparison, refilling their tanks once, twice or more. CFR's 20 gallon system out performs units twice its size. The Paramount 20 is available as a self contained work station or in a Pro version for use with wand and hand tools.



A Tacony Company
800.533.2557
www.CFRcorp.com

MID-SIZE AREA CLEANING SYSTEM

PARAMOUNT 20



The Paramount 20 has a 20 gallon recycling tank. Combine that with the CFR recycling chemical technology and the Paramount produces a cleaning solution volume capacity up to 75 gallons.

	Self Propelled	Wand System	Self Propelled Ozone	Wand System Ozone
Tank Capacity	25 gal	25 gal	25 gal	25 gal
Max p.s.i.	400	400	400	400
Adjustable p.s.i.	✓	✓	✓	✓
Vacuum Motor	3 stage	3 stage	3 stage	3 stage
Operating Amps	15	14	16	15
Water Lift	130"	130"	130"	130"
CFM	92	92	92	92
Tool Attachments	✓	✓	✓	✓
Cleaning Path	20"	12"	20"	12"
Drain Hose	✓	✓	✓	✓
Floor Tool	✓		✓	✓
O-Z Clean System			✓	✓
Self-Propelled	✓		✓	
Work Rating	8,000	na	8,000	na
Power Cord	pigtail/75'	pigtail	pigtail/75'	pigtail
Width	24"	21"	24"	21"
Height	43"	43"	43"	43"
Length	45"	45"	45"	45"
Weight	202	161	207	166
Warranty*	5/1	5/1	5/1	5/1

Clam shell design for easy access to components for maintenance.



Available in self-contained or wand systems.



Finger tip controls and ergonomic handles for ease of operation.



Superior edge cleaning with narrow profile.



A Tacony Company
800.533.2557
www.CFRcorp.com